



JKON-TEK

To Be The Best Motion Control Provider

Step Motor ve Sürücüleri

Ürün Kataloğu ve 2024 Fiyat Listesi



www.maxotomasyon.com



INDEX

OPEN LOOP STEPPER DRIVER

EO430	4
EO542	5
EO556	6
EO872	7
EO860AH	8
EO556-AI	9
EO556-IO	10
EO860AH-IO	11
3EO680 (3 PHASE)	12

EtherCAT BUS STEPPER DRIVER

EST-525 (open loop)	13
EST-556 (open loop)	14
EST-584 (open loop)	15
EHS-580 (closed loop).....	16

LCD Display EtherCAT BUS STEPPER DRIVER

EST-6A (open loop)	17
EST-8A (open loop)	18
EHS-808H (closed loop).....	19

CLOSED LOOP STEPPER DRIVER

EC808D.....	20
EC506D.....	21
EC808AH.....	22
EC758 (LCD)	23

OPEN LOOP STEPPER MOTOR 2 PHASE

EO42 series motor	24
EO57 series motor	25
EO60 series motor	26
EO86 series motor	27
EO110 series motor	28

OPEN LOOP STEPPER MOTOR 3 PHASE

3EO57	29
3EO86	30
3EO110.....	31
3EO130.....	32

Closed Loop Stepper Motor

EC57 series motor	33
EC86 series motor	34

JKON-TEK

To Be The Best Motion Control Provider

Step Motor ve Sürücüleri

- 32 bit DSP teknolojisi
- Ultra düşük titreşim ve gürültü
- Motor parametrelerini otomatik algılama ve kontrol parametrelerini otomatik ayarlama
 - 500 kHz e kadar giriş frekansı
 - Alarm çıkışı - Alarm ikaz ledi
- Ayarlanabilir yüksek mikro step kapasitesi
 - Optik izolasyonlu girişler
- Aşırı akım, düşük voltaj ve aşırı voltaj koruması
- Açık çevrim ve kapalı çevrim enkoderli motor çeşitleri

TÜRKİYE DİSTRİBÜTÖRÜ



AÇIK ÇEVİRİM STEP MOTOR VE SÜRÜCÜLERİ

AÇIKLAMA	MODEL NO	FİYAT (USD)
STEP MOTOR, NEMA17 0.4N.M, 2 FAZ	E042-04	22,00
STEP MOTOR, NEMA23 1.3N.M, 2 FAZ	E057-13	30,00
STEP MOTOR, NEMA23 2.3N.M, 2 FAZ	E057-23	35,00
STEP MOTOR, NEMA34 4.5N.M, 2 FAZ	E086-45	59,00
STEP MOTOR, NEMA34 8.5N.M, 2 FAZ	E086-85	85,00
STEP MOTOR, NEMA34 12N.M, 2 FAZ	E086-120	115,00
STEP SÜRÜCÜ 24V--50VDC, 4.2A	E0542	50,00
STEP SÜRÜCÜ 24V--50VDC, 5.6A	E0556	55,00
STEP SÜRÜCÜ 24V-110VDC OR 24V-80VAC, 7.2A	E0860AH	80,00

KAPALI ÇEVİRİM ENKODERLİ STEP MOTOR VE SÜRÜCÜLERİ

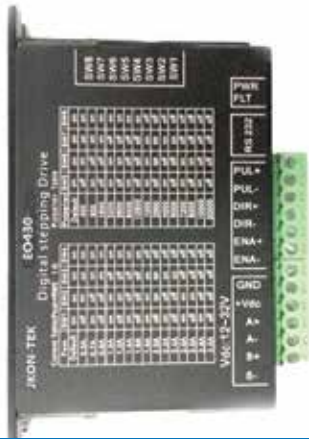
AÇIKLAMA	MODEL NO	FİYAT (USD)
KAPALI ÇEVİRİM STEP MOTOR,NEMA23 2.3N.M,1000PPR ENCODER	EC57-23	65,00
KAPALI ÇEVİRİM STEP MOTOR,NEMA24 3,5N.M,1000PPR ENCODER	EC60-35	75,00
KAPALI ÇEVİRİM STEP MOTOR,NEMA34 4,5N.M,1000PPR ENCODER	EC86-45	85,00
KAPALI ÇEVİRİM STEP MOTOR,NEMA34 8.5N.M,1000PPR ENCODER	EC86-85	110,00
KAPALI ÇEVİRİM STEP MOTOR,NEMA34 12N.M,1000PPR ENCODER	EC86-120	147,00
KAPALI ÇEVİRİM STEP SÜRÜCÜ,24V-80VDC, 8A	EC808D	110,00
KAPALI ÇEVİRİM STEP SÜRÜCÜ,24V-110VDC OR 24V--80VAC ,8A	EC808AH	150,00

EtherCAT 

ETHERCAT HABERLEŞMELİ KAPALI ÇEVİRİM SÜRÜCÜ, 24-75VDC 8A	E2E-8CM	215,00
--	---------	--------



EO430



Features:

1. Voltage: 12V~32VDC, peak current 3A
2. Apply for magnetic linkage vector resonance resistance algorithm and electronic damping low-speed vibration arithmetic
3. Auto recognize motor parameters and auto tuning control parameters when power is on
4. Build-in micro-step algorithm, to achieve low micro-step control command, high micro-step operate effect
5. Receive differential and one terminal PUL/DIR command
6. Pulse, direction, enable signal port level compatible 4.5V~28VDC, no need to connect external resistor
7. Set positive edge, negative edge and motor initial direction by serial port
8. Control command Max pulse frequency is 500KHz (Default is 160KHz)
9. Provide 16 gears micro-step subdivision value setting, to set 200~51200 any subdivision by Serial port
10. Have RS-232, can set or change drive parameters
11. Reliable, signal port is optical isolation
12. Over-voltage, over-current, under-voltage protecting

Electrical Specifications (Tj = 25°C/77°F)

Parameters	EO 430			
	Min	Typical	Max	Unit
Output current [PK]	0.3	-	3.0 (2.2 RMS)	A
Supply voltage	12	24	32	Vdc
Pulse Voltage	4.5	5	28	Vdc
Logic signal current	6	10	16	mA
Pulse input frequency	0	-	200	KHz
Isolation resistance	100	-	-	MΩ

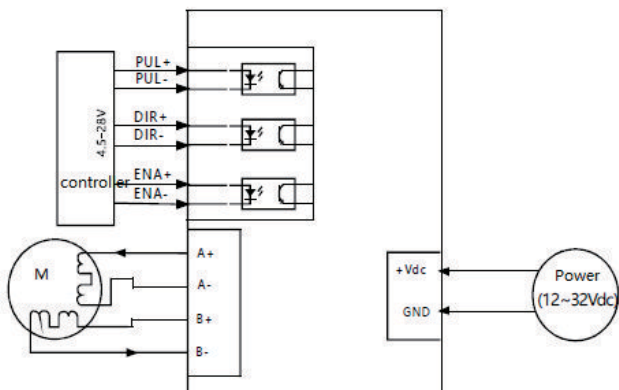
CURRENT SETTING

Peak Current	Sw1	Sw2	Sw3	Sw4
Default (0.3A)	ON	ON	ON	ON
0.5A	OFF	ON	ON	ON
0.7A	ON	OFF	ON	ON
0.8A	OFF	OFF	ON	ON
1.0A	ON	ON	OFF	ON
1.2A	OFF	ON	OFF	ON
1.4A	ON	OFF	OFF	ON
1.6A	OFF	OFF	OFF	ON
1.8A	ON	ON	ON	OFF
2.0A	OFF	ON	ON	OFF
2.2A	ON	OFF	ON	OFF
2.4A	OFF	OFF	ON	OFF
2.5A	ON	ON	OFF	OFF
2.6A	OFF	ON	OFF	OFF
2.8A	ON	OFF	OFF	OFF
3.0A	OFF	OFF	OFF	OFF

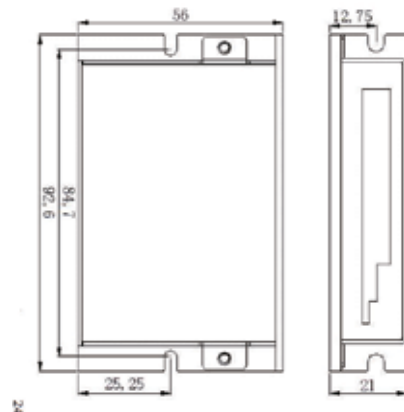
Micro-step Setting

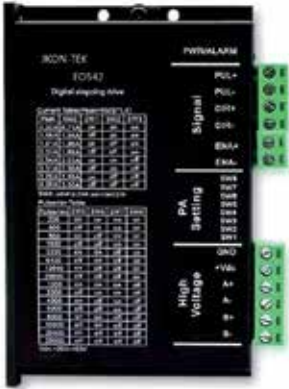
Step/R	Sw5	Sw6	Sw7	Sw8
Default (200)	ON	ON	ON	ON
400	OFF	ON	ON	ON
800	ON	OFF	ON	ON
1600	OFF	OFF	ON	ON
3200	ON	ON	OFF	ON
6400	ON	OFF	OFF	ON
12800	OFF	OFF	OFF	ON
25600	OFF	OFF	OFF	ON
1000	ON	ON	ON	OFF
2000	OFF	ON	ON	OFF
4000	ON	OFF	ON	OFF
5000	OFF	OFF	ON	OFF
8000	OFF	ON	OFF	OFF
10000	ON	OFF	OFF	OFF
20000	OFF	OFF	OFF	OFF
25000	OFF	OFF	OFF	OFF

Product Diagram



Product Dimension





Features:

1. Voltage:24V~50VDC,peak current 4.2A
2. Apply for magnetic linkage vector resonance resistance algorithm and electronic damping low-speed vibration arithmetic
3. Auto recognize motor parameters and auto tuning control parameters when power is on
4. Build-in micro-step algorithm, to achieve low micro-step control command, high micro-step operate effect
5. Receive differential and one terminal PUL/DIR command
6. Pulse,direction,enable signal port level compatible 4.5V~28VDC ,no need to connect external resistor
7. Set positive edge ,negative edge,one pulse or dual pulse and motor initial direction by serial port
8. Control command Max pulse frequency is 500KHz(Default is 200KHz)
9. Provide 15 gears micro-step subdivision value setting, to set 200~51200 any subdivision by Serial port
10. Have RS-232 and RS-485 serial port,can set or control drive parameters(selection)
11. Reliable,signal port is optical isolation
12. Over-voltage ,over-current ,under-voltage protecting

Electrical Specifications (Tj = 25°C/77°F)

Parameters	EO 542			Unit
	Min	Typical	Max	
Output current[PK]	0.5	-	4.2(3.0 RMS)	A
Supply voltage	24	36	50	Vdc
Pulse Voltage	4.5	5	28	Vdc
Logic signal current	7	10	16	mA
Pulse input frequency	0	-	200	KHz
Isolation resistance	100	-	-	MΩ

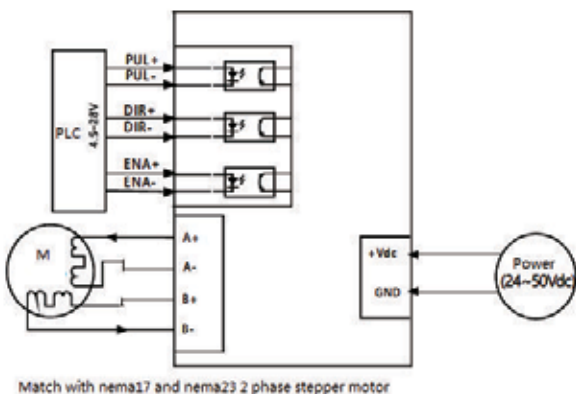
CURRENT SETTING

Peak Current	Valid current	Sw1	Sw2	Sw3
Default	0.7A(RMS)	ON	ON	ON
1.46A	1.04A	OFF	ON	ON
1.91A	1.36A	ON	OFF	ON
2.37A	1.69A	OFF	OFF	ON
2.84A	2.03A	ON	ON	OFF
3.31A	2.36A	OFF	ON	OFF
3.76A	2.69A	ON	OFF	OFF
5.50A	3.57A	OFF	OFF	OFF

Micro-step Setting

Step/R	Sw5	Sw6	Sw7	Sw8
Default	ON	ON	ON	ON
400	OFF	ON	ON	ON
800	ON	OFF	ON	ON
1600	OFF	OFF	ON	ON
3200	ON	ON	OFF	ON
6400	OFF	ON	OFF	ON
12800	ON	OFF	OFF	ON
25600	OFF	OFF	OFF	ON
1000	ON	ON	ON	OFF
2000	OFF	ON	ON	OFF
4000	ON	OFF	ON	OFF
5000	OFF	OFF	ON	OFF
8000	ON	ON	OFF	OFF
10000	OFF	ON	OFF	OFF
20000	ON	OFF	OFF	OFF
25000	OFF	OFF	OFF	OFF

Product Diagram



Product Dimension(Unit:mm)

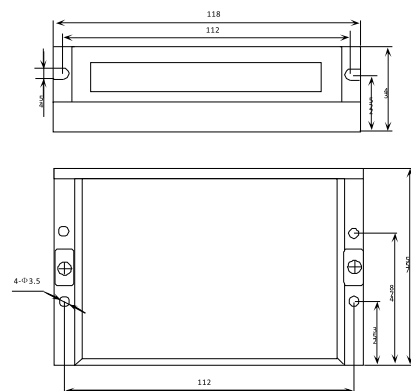


Figure1:Mechanical specifications

EO556



Features:

1. Voltage:24V~50VDC,peak current 5.6A
2. Apply for magnetic linkage vector resonance resistance algorithm and electronic damping low-speed vibration arithmetic
3. Auto recognize motor parameters and auto tuning control parameters when power is on
4. Build-in micro-step segmentation algorithm, to achieve low micro-step control command, high micro-step operate effect
5. Receive differential and single-end PUL/DIR command
6. Pulse,direction,enable signal port electric level compatible 4.5V~28VDC ,no need to connect external resistor
7. Set positive edge ,negative edge and motor initial direction by serial port
8. Control command Max pulse frequency is 500KHz(Default is 200KHz)
9. Provide 15 gears micro-step value setting, to set 200~51200 micro-step by Serial port
10. Have serial port RS-232 or RS-485,can set or control drive parameters
11. can customized to 0~5V analogy speed function
12. Reliable,signal port is optical isolation
13. Over-voltage, over-current, under-voltage protecting

Electrical Specifications (Tj = 25°C/77°F)

Parameters	EO 556			
	Min	Typical	Max	Unit
Output current[PK]	0.5	-	5.6(4.0 RMS)	A
Supply voltage	24	36	50	Vdc
Pulse Voltage	4.5	5	28	Vdc
Logic signal current	7	10	16	mA
Pulse input frequency	0	-	200	KHz
Isolation resistance	100	-	-	MΩ

OPEN LOOP STEPPER DRIVER

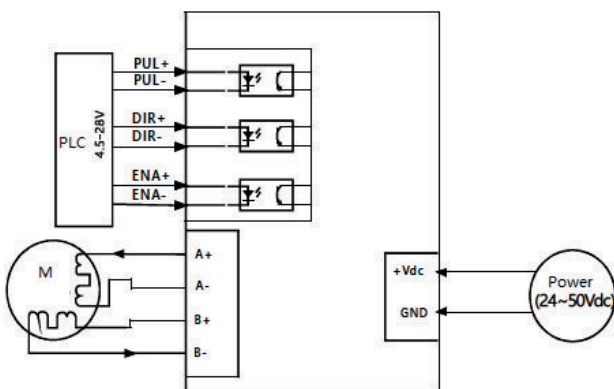
CURRENT SETTING

Peak Current	Valid current	Sw1	Sw2	Sw3
Default	1.0A(RMS)	OFF	OFF	OFF
2.1A	1.5A	ON	OFF	OFF
2.7A	1.9A	OFF	ON	OFF
3.2A	2.3A	ON	ON	OFF
3.8A	2.7A	OFF	OFF	ON
4.3A	3.1A	ON	OFF	ON
4.9A	3.5A	OFF	ON	ON
5.6A	4.0A	ON	ON	ON

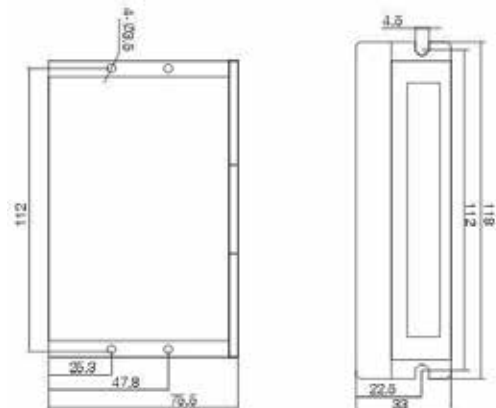
Micro-step Setting

Step/R	Sw5	Sw6	Sw7	Sw8
Default(200)	ON	ON	ON	ON
400	OFF	ON	ON	ON
800	ON	OFF	ON	ON
1600	OFF	OFF	ON	ON
3200	ON	ON	OFF	ON
6400	OFF	ON	OFF	ON
12800	ON	OFF	OFF	ON
25600	OFF	OFF	OFF	ON
1000	ON	ON	ON	OFF
2000	OFF	ON	ON	OFF
4000	ON	OFF	ON	OFF
5000	OFF	OFF	ON	OFF
8000	ON	ON	OFF	OFF
10000	OFF	ON	OFF	OFF
20000	ON	OFF	OFF	OFF
25000	OFF	OFF	OFF	OFF

Product Diagram



Product Dimension(Unit:mm)



EO872

Features:

- 1.Voltage:24V~75VDC,peak current 7.2A
- 2.Apply for magnetic linkage vector resonance resistance algorithm and electronic damping low-speed vibration arithmetic
- 3.Auto recognize motor parameters and auto tuning control parameters when power is on
- 4.Build-in micro-step segmentation algorithm, to achieve low micro-step control command, high micro-step operate effect
- 5.Receive differential and single-end PUL/DIR command
- 6.Pulse,direction,enable signal port electric level compatible 4.5V~28VDC ,no need to connect external resistor
- 7.Set positive edge ,negative edge, single pulse, dual pulse and motor initial direction by serial port
- 8.Control command Max pulse frequency is 500KHz(Default is 200KHz)
- 9.Provide 15 gears micro-step value setting, to set 200~51200 micro-step by Serial port
- 10.Have serial port RS-232 or RS-485,can set or control drive parameters
11. can customized to 0~5V analogy speed function
- 12.Reliable,signal port is optical isolation
13. Over-voltage, over-current, under-voltage protecting



Electrical Specifications (Tj = 25°C/77°F)

Parameters	EO 872			
	Min	Typical	Max	Unit
Output current[PK]	0.5	–	7.2(6.0 RMS)	A
Supply voltage	24	36	75	Vdc
Pulse Voltage	4.5	5	28	Vdc
Logic signal current	7	10	16	mA
Pulse input frequency	0	–	200	KHz
Isolation resistance	100	–	–	MΩ

CURRENT SETTING

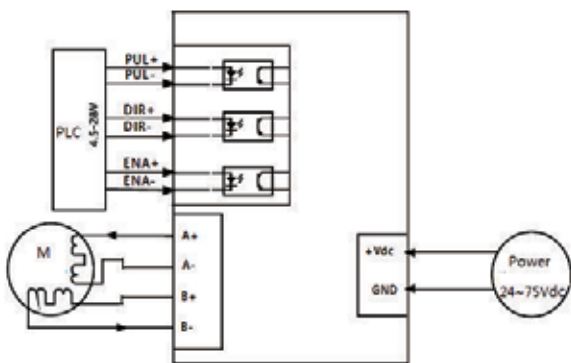
Peak Current	Valid current	Sw1	Sw2	Sw3
Default	2.0A(RMS)	ON	ON	ON
3.08A	2.57A	OFF	ON	ON
3.77A	3.14A	ON	OFF	ON
4.45A	3.71A	OFF	OFF	ON
5.14A	4.28A	ON	ON	OFF
5.83A	4.86A	OFF	ON	OFF
6.52A	5.43A	ON	OFF	OFF
7.20A	6.0A	OFF	OFF	OFF

Micro-step Setting

Step/R	Sw5	Sw6	Sw7	Sw8
400	ON	ON	ON	ON
800	OFF	ON	ON	ON
1600	ON	OFF	ON	ON
3200	OFF	OFF	ON	ON
6400	ON	ON	OFF	ON
12800	OFF	ON	OFF	ON
25600	ON	OFF	OFF	ON
52100	OFF	OFF	OFF	ON
1000	ON	ON	ON	OFF
2000	OFF	ON	ON	OFF
4000	ON	OFF	ON	OFF
5000	OFF	OFF	ON	OFF
8000	ON	ON	OFF	OFF
10000	OFF	ON	OFF	OFF
20000	ON	OFF	OFF	OFF
40000	OFF	OFF	OFF	OFF

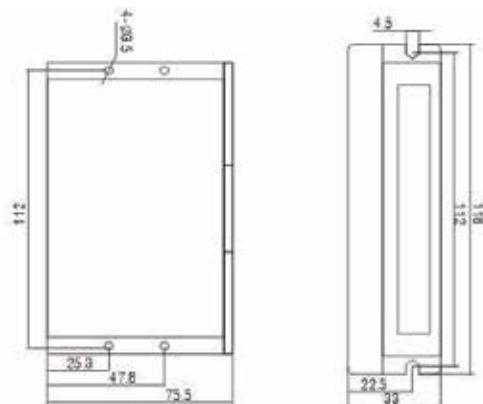
OPEN LOOP STEPPER DRIVER

Product Diagram



Match with nema23,nema24 and nema34 2 phase stepper motor

Product Dimension(Unit:mm)



EO860AH



Product Features:

1. Voltage: 24V~80VAC or 24~110VDC, peak current 7.2A
2. Apply for magnetic linkage vector resonance resistance algorithm and electronic damping low-speed vibration arithmetic
3. Auto recognize motor parameters and auto tuning control parameters when power is on
4. Build-in micro-step segmentation algorithm, to achieve low micro-step control command, high micro-step operate effect
5. Receive differential and single-end PUL/DIR command
6. Control command Max pulse frequency is 500KHz (Default is 150KHz)
7. Provide 16 gears micro-step value setting
8. can customize 3 IO input control speed function
9. Reliable, signal port is optical isolation
10. Over-voltage, over-current, under-voltage protecting

Electrical Specifications (Tj = 25°C/77°F)

Parameters	EO 860AH			
	Min	Typical	Max	Unit
Output current[PK]	0.5	-	7.2(6.0 RMS)	A
Supply voltage	24	48	75	Vdc
Pulse Voltage	4	5	28	Vdc
Logic signal current	7	10	16	mA
Pulse input frequency	0	-	200	KHz
Isolation resistance	100	-	-	MΩ

CURRENT SETTING

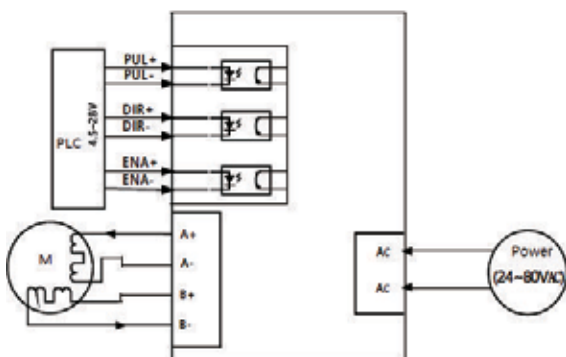
Peak Current	Valid current	Sw1	Sw2	Sw3
Default	2.0A(RMS)	ON	ON	ON
3.08A	2.57A	OFF	ON	ON
3.77A	3.14A	ON	OFF	ON
4.45A	3.71A	OFF	OFF	ON
5.14A	4.28A	ON	ON	OFF
5.83A	4.86A	OFF	ON	OFF
6.52A	5.43A	ON	OFF	OFF
7.20A	6.0A	OFF	OFF	OFF

Micro-step Setting

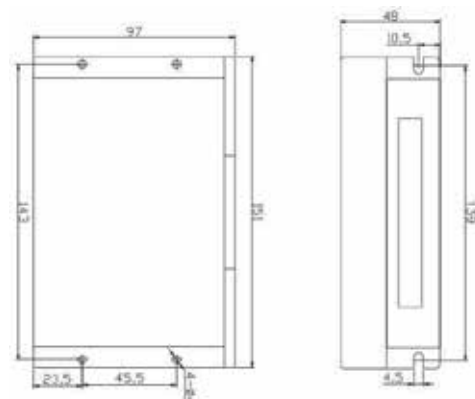
Step/R	Sw5	Sw6	Sw7	Sw8
400	ON	ON	ON	ON
800	OFF	ON	ON	ON
1600	ON	OFF	ON	ON
3200	OFF	OFF	ON	ON
6400	ON	ON	OFF	ON
12800	OFF	ON	OFF	ON
25600	ON	OFF	OFF	ON
51200	OFF	OFF	OFF	ON
1000	ON	ON	ON	OFF
2000	OFF	ON	ON	OFF
4000	ON	OFF	ON	OFF
5000	OFF	OFF	ON	OFF
8000	ON	ON	OFF	OFF
10000	OFF	ON	OFF	OFF
20000	ON	OFF	OFF	OFF
40000	OFF	OFF	OFF	OFF

OPEN LOOP STEPPER DRIVER

Product Diagram



Product Dimension(Unit:mm)



EO556AI



Features:

- 1.New 32 Bit DSP Technology
- 2.Dial code can be set to pulse control, IO spontaneous pulse control, 0–10V analog speed control
- 3.It is able to select up or down edge, single or double pulse
- 4.Low filtering time (high response) or high filtering time (low vibration) can be selected by dial
- 5.1–way 0–10V analog input
- 6.Automatic parameter power–on setting function
- 7.Variable current control greatly reduces the heat generation of the motor.
- 8.Automatic halving of current at rest
- 9.Can drive a variety of stepping motor ,such as 28,42,57,60
- 10.Three optical isolation signal inputs, two of which are high–speed opto–coupler isolation
- 11.1 way alarm output, photoelectric isolation OC emitter output
- 12.The current setting is convenient and can be selected between 0.4–5.6 A
- 13.It has the protection functions of over–voltage, under–voltage and over–current.

Electrical Specifications (Tj = 25°C/77°F)

Explanation	EO 556AI			
	Minimum Value		Minimum Value	
Continuous output current	0.4	Continuous output current	0.4	Continuous output current
Power Supply Voltage (DC)	20	Power Supply Voltage (DC)	20	Power Supply Voltage (DC)
Control signal input current	6	Control signal input current	6	Control signal input current
Control signal interface level	5	Control signal interface level	5	Control signal interface level
OC output pull–up voltage	5	OC output pull–up voltage	5	OC output pull–up voltage
Insulation Resistance	–	Insulation Resistance	–	Insulation Resistance

The current setting

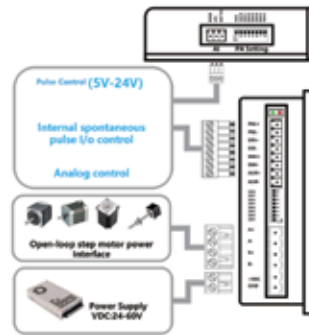
Peak	RMS	Sw1	Sw2	Sw3	Sw4
0.4A	0.3A	on	on	on	on
0.7A	0.5A	off	on	on	on
1.0A	0.7A	on	off	on	on
1.1A	0.8A	off	off	on	on
1.4A	1.0A	on	on	off	on
1.7A	1.2A	off	on	off	on
2.1A	1.5A	on	off	off	on
2.5A	1.8A	off	off	off	on
2.8A	2.0 A	on	on	on	off
3.0A	2.2A	off	on	on	off
3.8A	2.7A	on	off	on	off
4.2A	3.0A	off	off	on	off
4.5A	3.2A	on	on	off	off
4.9A	3.5A	off	on	off	off
5.3A	3.8A	on	off	off	off
5.6A	4.0A	off	off	off	off

Note: Above format current is the standard EO556–AI current, other current can be derived according to customer demand, can set the current range between 0.3–5.6 A.

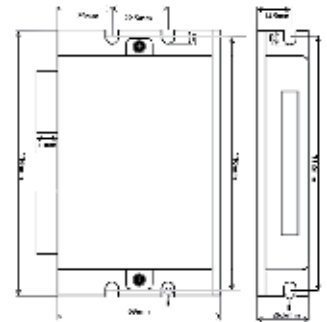
Dialing sets the subdivision and it–self spontaneous pulses

Pul/Rev	S5	S6	S7	S8	Remark
200	on	on	on	on	When SW5、SW6、SW7、SW8 all are ON,the driver subdivision of driver is the internal default subdivision, and can be the value of subdivision which customer need
400	off	on	on	on	
800	on	off	on	on	
1600	off	off	on	on	
3200	on	on	off	on	
6400	off	on	off	on	
12800	on	off	off	on	
25600	off	off	off	on	
1000	on	on	on	off	
2000	off	on	on	off	
4000	on	off	on	off	
5000	off	off	on	off	
8000	on	on	off	off	
10000	off	on	off	off	
20000	on	off	off	off	
25000	off	off	off	off	

Product Diagram



Product Dimension(Unit:mm)



IO/AI Speed Setting (Internal generate pulse or 0–10V analog speed control setting)

RPM/MIN	S5	S6	S7	S8	Speed Explanation
40	on	on	on	on	When SW5、SW6、SW7、SW8all are ON,the driver speed applys its internal default speed: can derive the speed that customer need
50	off	on	on	on	
60	on	off	on	on	
70	off	off	on	on	
80	on	on	off	on	
90	off	on	off	on	
100	on	off	off	on	
150	off	off	off	on	
200	on	on	on	off	
250	off	on	on	off	
350	on	off	on	off	
450	off	off	on	off	
550	on	on	off	off	
650	off	on	off	off	
750	on	off	off	off	
850	off	off	off	off	

Note: 1, Above format subdivision are the standard product EO556–AI subdivisions, other subdivisions can be derived according to customer needs, can set the value between 200–51200 , subdivide table refer to [Pulse/rev] this column table.

2, when the drive is set to IO control or analog control mode by dialing SW15 and SW16, the corresponding speed refer to [IO/AI (RPM)] this column speed table.

EO556-IO



Product Features:

1. New 32-bit DSP technology
2. Ultra low vibration noise
3. Built-in micro-step subdivision function
4. Parameter power-on auto-tuning function
5. The variable current control greatly reduces the heating of the motor
6. The current is automatically halved when stationary
7. Can drive 4, 6, 8 wire two-phase stepper motors
8. Optically isolated differential signal input
9. The current setting is convenient and can be arbitrarily selected between 0.1-5.6A
10. Speed setting range is 1-1000RPM
11. With overvoltage, under-voltage, overcurrent and other protection functions

Electrical Specifications (Tj = 25°C/77°F)

Explanation	EO 556-IO			
	Value MIN	Typical Value	Value MAX	UNIT
Output Current	0.1	-	5.6	A
Input Voltage	24	36	50	VDC
Control Signal Input Current	6	10	16	mA
Control Signal interface level	4.5	5	28	Vdc
Input signal Min Pulse Width	1.5	-	-	us
Speed Range	1	-	1000	RPM
Resistor	500	-	-	MΩ

CURRENT SETTING

Peak Current	Valid current	Sw1	Sw2	Sw3	Current Self-Setting
1.0A(RMS)		OFF	OFF	OFF	When SW1, SW2 and SW3 are set to OFF, the required current can be set by PC software, the maximum value is 5.6A, and the resolution is 0.1A. If not set, the default current is 1.4A
2.1A	1.5A	ON	OFF	OFF	
2.7A	1.9A	OFF	ON	OFF	
3.2A	2.3A	ON	ON	OFF	
3.8A	2.7A	OFF	OFF	ON	
4.3A	3.1A	ON	OFF	ON	
4.9A	3.5A	OFF	ON	ON	
5.6A	4.0A	ON	ON	ON	

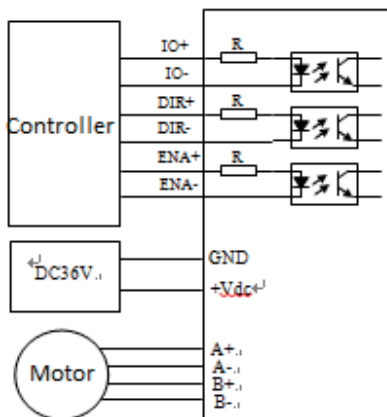
Note: The quiescent current can be set by the SW4 DIP switch, OFF means that the quiescent current is set to half of the dynamic current, and ON means that the quiescent current is the same as the dynamic current. In general use, SW4 should be set to OFF, so that the heat generation of the motor and the driver is reduced and the reliability is improved. About 400ms after the pulse train stops, the current is automatically reduced to about half (60% of the actual value), and the calorific value is theoretically reduced to 30%.

Internal self-transmit Pulse Speed Setting

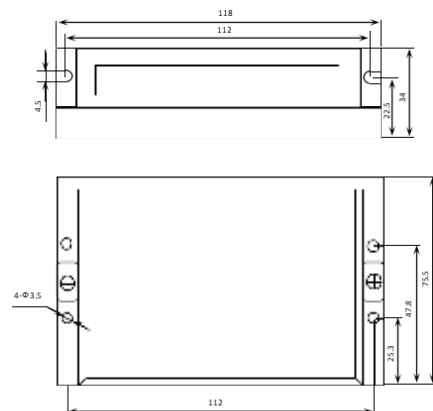
RPM	Sw5	Sw6	Sw7	Sw8	Subdivision Description
Default[40]	ON	ON	ON	ON	When SW5, SW6, SW7, SW8 are all on, the internal speed of the drive is set by the user through the PC software ProTuner or STU debugger, the minimum value is 1, the resolution is 1, and the maximum value is 1000RPM.
50	OFF	ON	ON	ON	
60	ON	OFF	ON	ON	
70	OFF	OFF	ON	ON	
80	ON	ON	OFF	ON	
90	OFF	ON	OFF	ON	
100	ON	OFF	OFF	ON	
150	OFF	OFF	OFF	ON	
200	ON	ON	ON	OFF	
250	OFF	ON	ON	OFF	
350	ON	OFF	ON	OFF	
450	OFF	OFF	ON	OFF	
550	ON	ON	OFF	OFF	
650	OFF	ON	OFF	OFF	
750	ON	OFF	OFF	OFF	
850	OFF	OFF	OFF	OFF	

OPEN LOOP STEPPER DRIVER

Product Diagram



Product Dimension(Unit:mm)



EO860AH-IO



Product Features:

- New 32-bit DSP technology
- Ultra low vibration noise
- Built-in high segmentation
- Parameter power-on auto-tuning function
- The variable current control greatly reduces the heating of the motor
- The current is automatically halved when driver is still
- Drive 4, 6, 8 leads two-phase stepper motor
- Optical isolation differential signal input or IO control high and low level input
- One driver can drive two motors, with good motor speed synchronization
- The current setting is convenient and can be arbitrarily selected between 2.1–7.2A
- The setting range of speed segment is 40–900RPM
- With over-voltage, under-voltage, over-current and other protection functions

Electrical Specifications (Tj = 25°C/77°F)

Parameters	EO 860AH-IO			Unit
	Min	Typical	Max	
Output current[PK]	0.1	–	7.2(6.0 RMS)	A
Supply voltage	24	48	75	Vac
Control signal port e-level Voltage	4.5	5	24	Vdc
Logic signal current	6	10	16	mA
Input signal Min pulse width	1.5	–	–	us
Speed Range	40	–	900	RPM
Isolation resistance	100	–	–	MΩ

CURRENT SETTING

Output Peak Current	Output Valid current	Sw1	Sw2	Sw3	Current Setting
Default[2.0A]		ON	ON	ON	When SW1, SW2, SW3 are set to OFF/ OFF/ OFF, the required current can be set by PC software, the maximum value is 7.20A, and the resolution is 0.1A. If do not set, the default current is 2.0A.
3.08A	2.57A	OFF	ON	ON	
3.77A	3.14A	ON	OFF	ON	
4.45A	3.71A	OFF	OFF	ON	
5.14A	4.28A	ON	ON	OFF	
5.83A	4.86A	OFF	ON	OFF	
6.52A	5.43A	ON	OFF	OFF	
7.20A	6.00A	OFF	OFF	OFF	

2) Still(Static) current setting

The quiescent current can be set by the SW4 DIP switch, OFF means that the quiescent current is set to half of the dynamic current, and ON means that the quiescent current is the same as the dynamic current. In general use, SW4 should be set to OFF to reduce the heat generation of the motor and driver and improve reliability. After 400ms of the pulse train stops, the current is automatically reduced to about half (60% of the actual value), and the calorific value is theoretically reduced to 30%

Speed Setting

RPM	Sw5	Sw6	Sw7	Sw8	Description
Default[40]	ON	ON	ON	ON	When SW5, SW6, SW7, SW8 are all ON, the drive speed segment adopts the internal default speed of the drive: the user sets the motor speed through the PC software ProTuner or STU debugger, the minimum value is 1, the resolution is 1, and the maximum value is 1200RPM.
50	OFF	ON	ON	ON	
60	ON	OFF	ON	ON	
70	OFF	OFF	ON	ON	
80	ON	ON	OFF	ON	
90	OFF	ON	OFF	ON	
100	ON	OFF	OFF	ON	
150	OFF	OFF	OFF	ON	
200	ON	ON	ON	OFF	
250	OFF	ON	ON	OFF	
350	ON	OFF	ON	OFF	
450	OFF	OFF	ON	OFF	
550	ON	ON	OFF	OFF	
650	OFF	ON	OFF	OFF	
750	ON	OFF	OFF	OFF	
800	OFF	OFF	OFF	OFF	

Product Diagram

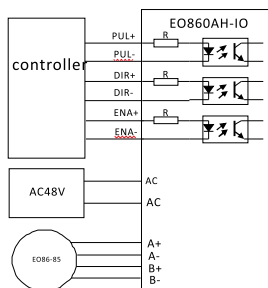
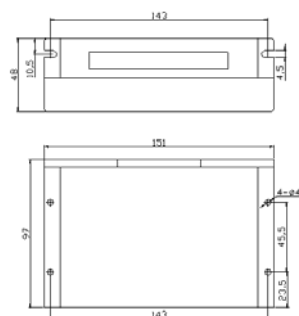


Fig. 7 E0860AH-IO with E086-85 wiring

Product Dimension(Unit:mm)



Self-Tuning Function

The driver can automatically complete the motor parameter identification and the self-tuning of the internal adjustment parameters within 400ms of power-on; when the motor, power supply voltage and other conditions change, please perform a self-tuning, otherwise, the motor may run abnormally. Note that IO control cannot be input at this time, the direction signal should not be changed, and the enable signal cannot be connected.

Note: This type of driver has the function of automatic tuning of power-on parameters, and can also match parameters for the specified motor.

3EO680(3 phase)



Features:

- 1.Voltage:24~75VDC,peak current 8.2A
- 2.Apply for magnetic linkage, vector resonance resistance algorithm and electronic damping low-speed vibration arithmetic
- 3.Auto recognize motor parameters and auto tuning control parameters when power is on
- 4.Build-in micro-step segmentation algorithm, to achieve low micro-step control command, high micro-step operate effect
- 5.Receive differential and single-end PUL/DIR command
- 6.Pulse,direction,enable signal port electric level compatible 4.5V~28VDC ,no need to connect external resistor
- 7.Set positive edge ,negative edge, single pulse, dual pulse and motor initial direction by serial port
- 8.Control command Max pulse frequency is 500KHz(Default is 200KHz)
- 9.Provide 15 gears micro-step value setting, to set 200~51200 micro-step by Serial port
- 10.Have serial port RS-232 or RS-485,can set or control drive parameters
- 11.Reliable,signal port is optical isolation
12. Over-voltage, over-current, under-voltage protecting

Electrical Specifications (Tj = 25°C/77°F)

Parameters	3EO680(3 phase)			
	Min	Typical	Max	Unit
Output current[PK]	0.5	-	8.2(6.0 RMS)	A
Supply voltage	24	36	75	Vdc
Pulse Voltage	4.5	5	28	Vdc
Logic signal current	7	10	16	mA
Pulse input frequency	0	-	200	KHz
Isolation resistance	100	-	-	MΩ

CURRENT SETTING

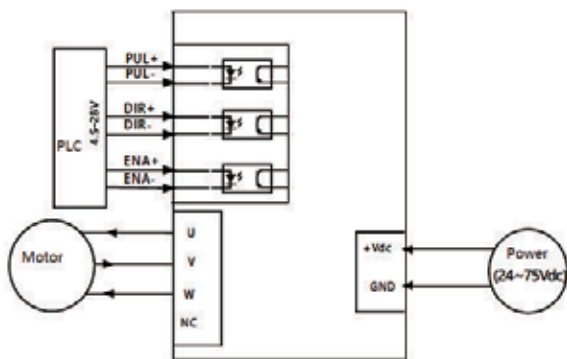
Peak Current	Valid current	Sw1	Sw2	Sw3
Default	3.0A(PK)	OFF	OFF	OFF
4.2A	3.0A	ON	OFF	OFF
4.9A	3.5A	OFF	ON	OFF
5.6A	4.0A	ON	ON	OFF
6.3A	4.5A	OFF	OFF	ON
7.0A	5.0A	ON	OFF	ON
7.8A	5.6A	OFF	ON	ON
8.20A	6.0A	ON	ON	ON

Micro-step Setting

Step/R	Sw5	Sw6	Sw7	Sw8
Default	ON	ON	ON	ON
400	OFF	ON	ON	ON
800	ON	OFF	ON	ON
1600	OFF	OFF	ON	ON
3200	ON	ON	OFF	ON
6400	OFF	ON	OFF	ON
12800	ON	OFF	OFF	ON
25600	OFF	OFF	OFF	ON
1000	ON	ON	ON	OFF
2000	OFF	ON	ON	OFF
4000	ON	OFF	ON	OFF
5000	OFF	OFF	ON	OFF
8000	ON	ON	OFF	OFF
10000	OFF	ON	OFF	OFF
20000	ON	OFF	OFF	OFF
25000	OFF	OFF	OFF	OFF

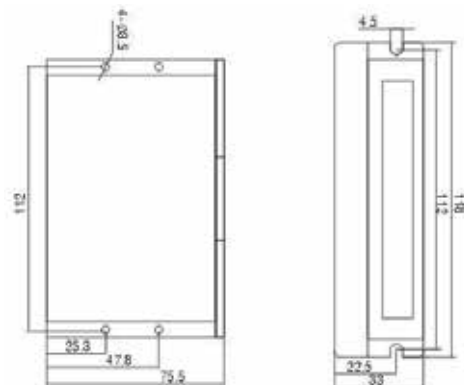
OPEN LOOP STEPPER DRIVER

Product Diagram



Match with nema23,nema24 and nema34 3 phase stepper motor

Product Dimension(Unit:mm)



EST-525(open loop)



Features:

1. New floating point 32bit MCU technology
2. Auto-Tuning after power up
3. 3 channels opto-coupler isolation output
4. Advanced vector control technology
5. 5 channels opto-coupler isolation input, 2 of them are high speed opto coupler isolation input
6. Communication Frequency up to 100MHz
7. DIPs can set 127 IPs or automatic allocate IP
8. Current setting range 0.3–2.5A(peak), the default is 1.5A
9. The default subdivision is 50000, can change through software
10. Smooth movement and ultra-low noise
11. The matched motor can be nema11, nema14, nema17 open loop stepper motor

Electrical Specifications

Parameters	EST-525			
	Min	Typical	Max	Unit
Output current[PK]	0.5	–	2.5	A
Supply voltage	24	24/36	50	Vdc
Logic input current	7	10	16	mA
Logic input voltage	5	5	24	Vdc
OC output pull-up voltage	5	–	24	VDC
EtherCAT frequency	–	100	–	MHz
Isolation resistance	100	–	–	MΩ

CURRENT SETTING

Current(peak)	Current(RMS)	Sw1	Sw2	Sw3
Default[0.3A]				
0.6A	0.4A	OFF	ON	ON
0.8A	0.6A	ON	OFF	ON
1.4A	1.0A	ON	ON	OFF
1.7A	1.2A	OFF	ON	OFF
2.1A	1.5A	ON	OFF	OFF
2.5A	1.8A	OFF	OFF	OFF

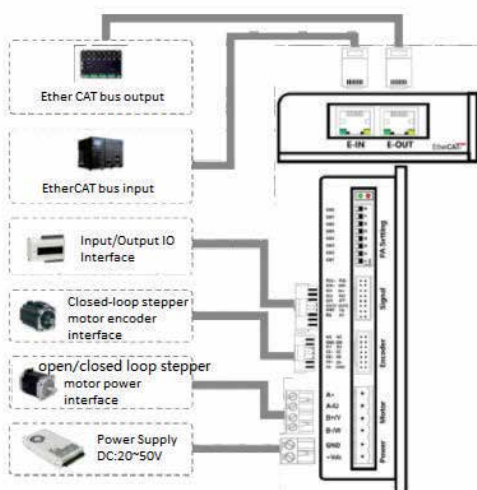
Standstill current setting

Sw4 is used for this purpose. OFF meaning that the standstill current is software configured, and ON meaning that standstill current is set to be the same as the selected dynamic current. Generally, set the SW4 to be off, that can reduce the heating of motor

Function Setting

Initial Motor direction setting			
Direction	Sw5	Remark	
CCW	OFF	Forward rotation	
CW	ON	Back-forward rotation	
Smoothing filter time setting			
Filter Sel	Sw6	Sw7	Description
Default [0ms]	ON	ON	The more higher value for smoothing filter time setting, the more better performance for the Acc and Dec, but worse performance for the interpolation
2ms	OFF	ON	
12ms	ON	OFF	
25ms	OFF	OFF	

Product Diagram



※ Please refer to the product manual for communication content and protocol description.

Product Dimension(Unit:mm)



EST-556(open loop)



Features:

- New floating point 32bit MCU technology
- Auto-Tuning after power up
- 3 channels opto-coupler isolation output
- Advanced vector control technology greatly reduce the motor heating
- 5 channels opto-coupler isolation input, 2 of them are high speed opto-coupler isolation input
- Communication Frequency up to 100MHz
- DIPs can set 127 IPs or automatic allocate IP
- Current setting range 1–6A(peak), the default is 4A(peak current)
- The default subdivision is 50000, can change through software
- Smooth movement and ultra-low noise
- The matched motor can be nema17, nema23, nema24 open loop stepper motor
- With setting serial port and tuning function

Electrical Specifications

Parameters	EST-556			
	Min	Typical	Max	Unit
Output current[PK]	1	–	6	A
Supply voltage	20	24/36	50	Vdc
Logic input current	6	10	16	mA
Logic input voltage	5	5	24	Vdc
OC output pull-up voltage	5	–	24	VDC
EtherCAT frequency	–	100	–	MHz
Isolation resistance	100	–	–	MΩ

CURRENT SETTING

Current(peak)	Current(RMS)	Sw1	Sw2	Sw3
Default[1A]				
2.1A	1.5A	OFF	ON	ON
2.8A	2.0A	ON	OFF	ON
3.5A	2.5A	OFF	OFF	ON
3.9A	2.8A	ON	ON	OFF
4.4A	3.2A	OFF	ON	OFF
5.0A	3.6A	ON	OFF	OFF
6.0A	4.2A	OFF	OFF	OFF

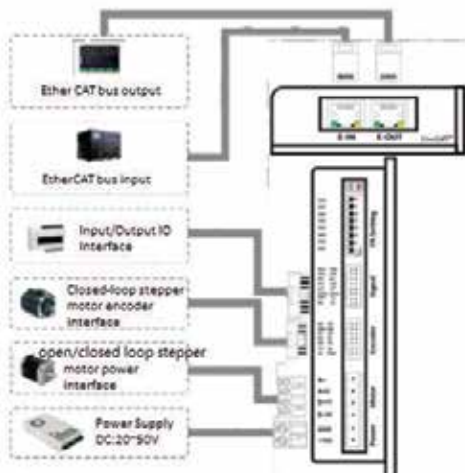
Standstill current setting

Sw4 is used for this purpose. OFF meaning that the standstill current is software configured, and ON meaning that standstill current is set to be the same as the selected dynamic current. Generally, set the SW4 to be off, that can reduce the heating of motor

Function Setting

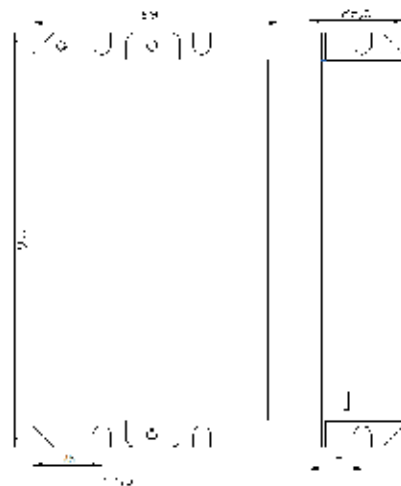
Initial Motor direction setting			
Direction	Sw5	Remark	
CCW	OFF	Forward rotation	
CW	ON	Back-forward rotation	
Smoothing filter time setting			
Filter Sel	Sw6	Sw7	Description
Default [0ms]	ON	ON	The more higher value for smoothing filter time setting, the more better performance for the Acc and Dec, but worse performance for the interpolation
2ms	OFF	ON	
12ms	ON	OFF	
25ms	OFF	OFF	

Product Diagram



Please refer to the product manual for communication content and protocol description.

Product Dimension(Unit:mm)



EST-584(open loop)



Features:

- 1.New floating point 32bit MCU technology
- 2.Auto –Tunning after power up
- 3.3 channels opto–coupler isolation output
- 4.Advanced vector control technology greatly reduce the motor heating
- 5.5 channels opto–coupler isolation input,2 of them are high speed opto–coupler isolation input
- 6.Communication Frequency up to 100MHz
- 7.DIPs can set 127 IPs or automatic allocate IP
- 8.Current setting range 2–8.4A(peak),the default is 4A(peak current)
- 9.The default subdivision is 50000,can change through software
- 10.Smooth movement and ultra– low noise
- 11.The matched motor can be nema23,nema24,nema34 open loop stepper motor
- 12.With setting serial port and tunning function

Electrical Specifications

Parameters	EST584			
	Min	Typical	Max	Unit
Output current[PK]	2.0	–	8.4	A
Supply voltage	20	24/36	75	Vdc
Logic input current	6	10	16	mA
Logic input voltage	5	5	24	Vdc
OC output pull–up voltage	5	–	24	VDC
EtherCAT frequency	–	100	–	MHz
Isolation resistance	100	–	–	MΩ

CURRENT SETTING

Current(peak)	Current(RMS)	Sw1	Sw2	Sw3
Default[1A]		ON	ON	ON
3.5A	2.5A	OFF	ON	ON
4.5A	3.2A	ON	OFF	ON
5.2A	3.7A	OFF	OFF	ON
5.8A	4.2A	ON	ON	OFF
6.7A	4.8A	OFF	ON	OFF
7.7A	5.5A	ON	OFF	OFF
8.4A	6.0A	OFF	OFF	OFF

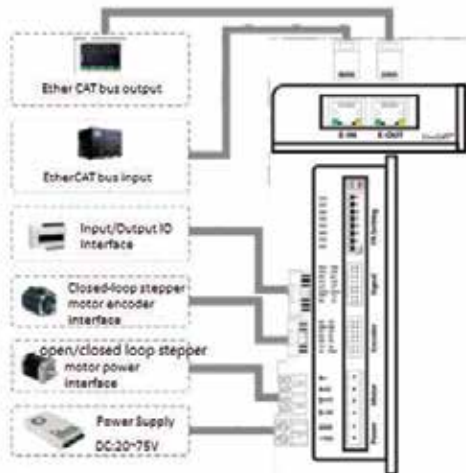
Standstill current setting

Sw4 is used for this purpose. OFF meaning that the standstill current is software configured, and ON meaning that standstill current is set to be the same as the selected dynamic current. Generally, set the SW4 to be off , that can reduce the heating of motor

Function Setting

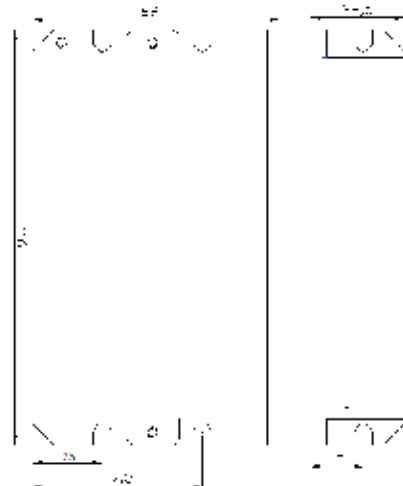
Initial Motor direction setting			
Direction	Sw5	Remark	
CCW	OFF	Forward rotation	
CW	ON	Back–forward rotation	
Smoothing filter time setting			
Filter Sel	Sw6	Sw7	Description
Default [0ms]	ON	ON	The more higher value for smoothing filter time setting, the more better performance for the Acc and Dec,but worse performance for the interpolation
2ms	OFF	ON	
12ms	ON	OFF	
25ms	OFF	OFF	

Product Diagram



* Please refer to the product manual for communication content and protocol description.

Product Dimension(Unit:mm)



EHS-580(closed loop)



Features:

- 1.New floating point 32bit MCU technology
- 2.Auto –Tunning after power up
- 3.3 channels opto–coupler isolation output
- 4.Advanced vector control technology greatly reduce the motor heating
- 5.Encoder resolution can be 500~5000,the default is 1000PPR encoder
- 6.5 channels opto–coupler isolation input,2 of them are high speed opto coupler isolation input
- 7.Communication Frequency up to 100MHz
- 8.DIPs can set 127 IPs or automatic allocate IP
- 9.The default subdivision is 50000,can change through software
- 10.Smooth movement and ultra– low noise
- 11.The matched motor can be 20,28,35,42,57,60,86 frame size closed loop stepper motor
- 12.With setting serial port and tuning function

Electrical Specifications

Parameters	EHS-580			Unit
	Min	Typical	Max	
Output current[PK]	0.3	–	8	A
Supply voltage	20	24/36/48	75	Vdc
Logic input current	6	10	16	mA
Logic input voltage	5	5	24	Vdc
OC output pull–up voltage	5	–	24	VDC
EtherCAT frequency	–	100	–	MHz
Isolation resistance	100	–	–	MΩ

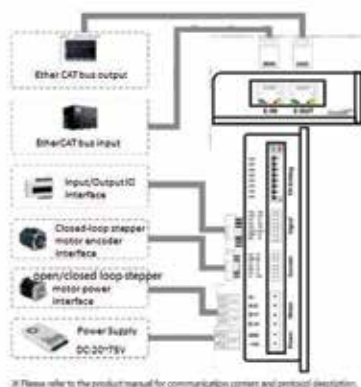
Function Setting

Closed loop stepper Motor setting			
Motor	Sw1	Sw2	Motor Setting
28	ON	ON	When SW1 and SW2 are setting to OFF, user can set the matched motor through software
42	OFF	ON	
57/60	ON	OFF	
Default[86]	OFF	OFF	
Open–loop/closed loop stepper motor setting			
Motor	Sw3		
Open loop	ON		
Closed loop	OFF		
Control Mode setting			
Control Mode	Sw4	Remark	
FOC	OFF	Vector closed loop control(ball–screw rotate)	
PM	ON	Power angle closed loop control(belt rotate)	

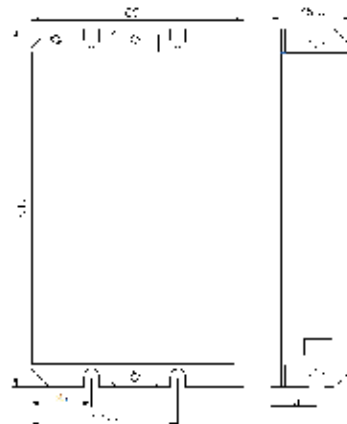
Function Setting

Motor initial direction setting			
Direction	Sw5	Remark	
CCW	OFF	Counter clockwise	
CW	ON	Clockwise	
Filter time setting			
Filter Sel	Sw6	Sw7	Remark
Default[0ms]	ON	ON	When SW6 and SW7 are set to ON/ON, user can set the filter time by software,and the max value is 25ms.The longer filter time,the better performance of acceleration and high speed, while interpolation effect becomes weak
2ms	OFF	ON	
12ms	ON	OFF	
25ms	OFF	OFF	

Product Diagram



Product Dimension(Unit:mm)



EST-6A(open loop)



Features:

- 1.New floating point 32bit MCU technology
- 2.Auto –Tunning after power up
- 3.4 channels opto–coupler isolation output
- 4.Variable current control technology greatly reduce the motor heating
- 5.5 channels opto–coupler isolation input,2 of them are high speed opto–coupler isolation input
- 6.Communication Frequency up to 100MHz
- 7.DIPs can set 127 IPs or automatic allocate IP
- 8.Current will be change in 1–6A according to the load
- 9.The default subdivision is 50000,can change through software

Electrical Specifications

Parameters	EST-6A			
	Min	Typical	Max	Unit
Output current[PK]	1	–	6.0	A
Supply voltage	20	24/36/48	80	Vdc
Logic input current	6	10	16	mA
Logic input voltage	5	5	24	Vdc
OC output pull–up voltage	5	–	24	VDC
EtherCAT frequency	–	100	–	MHz
Isolation resistance	100	–	–	MΩ

CURRENT SETTING

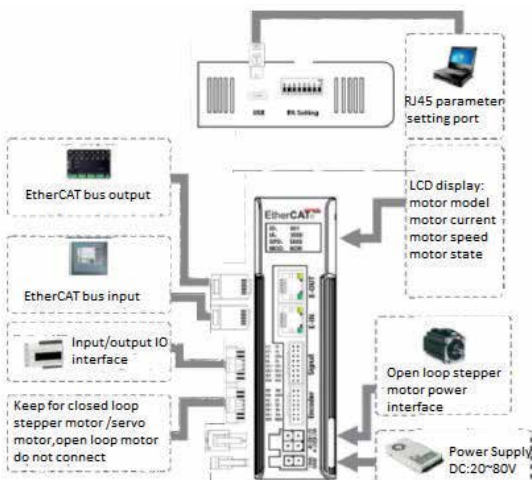
Current(peak)	Current(RMS)	Sw1	Sw2	Sw3
Default[1A]		ON	ON	ON
2.1A	1.5A	OFF	ON	ON
2.7A	1.9A	ON	OFF	ON
3.2A	2.3A	OFF	OFF	ON
3.8A	2.7A	ON	ON	OFF
4.3A	3.1A	OFF	ON	OFF
4.9A	3.5A	ON	OFF	OFF
5.6A	4.0A	OFF	OFF	OFF

When SW1,SW2 and SW3 are set to ON, user can set the demand current by software, max value is 6A,resolution is 0.1A.If no set, the default current is 1A.

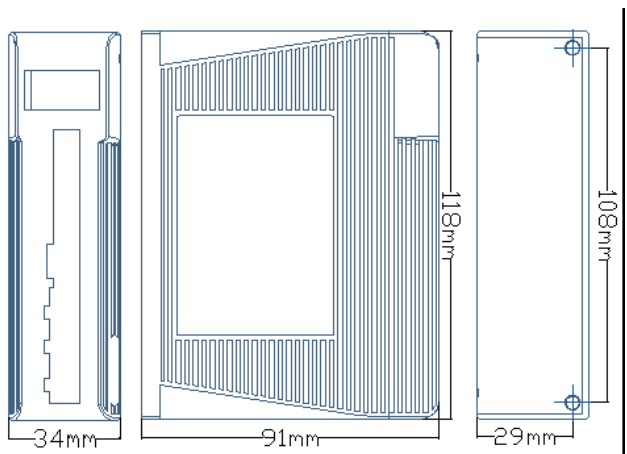
Function Setting

Standstill current setting			
Current		Sw4	
Half		OFF	
FULL		ON	
Initial Motor direction setting			
Direction	Sw5	Remark	
CCW	OFF	Forward rotation	
CW	ON	Back–forward rotation	
Smoothing filter time setting			
Filter Sel	Sw6	Sw7	Description
Default [0ms]	ON	ON	When SW6 and SW7 set to ON, user can set the filter time through software. The more higher value for smoothing filter time setting, the more better performance for the ACC and high speed, while the interpolation effect becomes weak
2ms	OFF	ON	
12ms	ON	OFF	
25ms	OFF	OFF	

Product Diagram



Product Dimension(Unit:mm)



EST-8A(open loop)

Features:

- 1.New floating point 32bit MCU technology
- 2.Auto –Tunning after power up
- 3.4 channels opto–coupler isolation output
- 4.Variable current control technology greatly reduce the motor heating
- 5.5 channels opto–coupler isolation input,2 of them are high speed opto–coupler isolation input
- 6.Communication Frequency up to 100MHz
- 7.DIPs can set 127 IPs or automatic allocate IP
- 8.Current will be change in 2–8A according to the load
- 9.The default subdivision is 50000,can change through software
- 10.Smooth movement and ultra– low noise
- 11.The matched motor can be 57,60,86 frame size open loop stepper motor



Electrical Specifications

Parameters	EST-8A			
	Min	Typical	Max	Unit
Output current[PK]	20	–	8.0	A
Supply voltage	20	24/36/48/60	80	Vdc
Logic input current	6	10	16	mA
Logic input voltage	5	5	24	Vdc
OC output pull–up voltage	5	–	24	VDC
EtherCAT frequency	–	100	–	MHz
Isolation resistance	100	–	–	MΩ

CURRENT SETTING

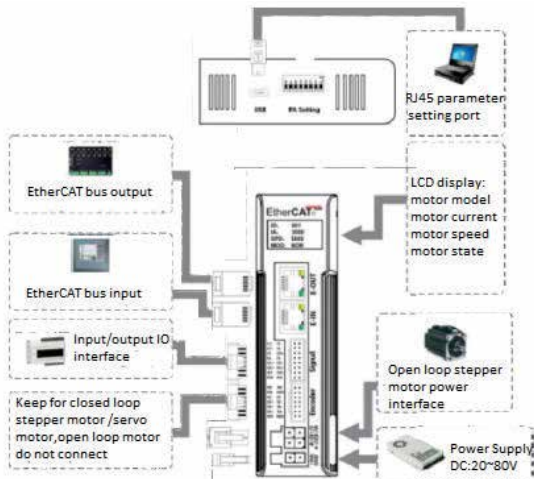
Current(peak)	Current(RMS)	Sw1	Sw2	Sw3
Default[2A]		ON	ON	ON
3.5A	2.5A	OFF	ON	ON
4.5A	3.2A	ON	OFF	ON
5.2A	3.7A	OFF	OFF	ON
5.8A	4.2A	ON	ON	OFF
6.7A	4.8A	OFF	ON	OFF
7.7A	5.5A	ON	OFF	OFF
8.0A	6.0A	OFF	OFF	OFF

When SW1,SW2 and SW3 are set to ON, user can set the demand current by software, max value is 8A,resolution is 0.1A.If no set, the default current is 2A.

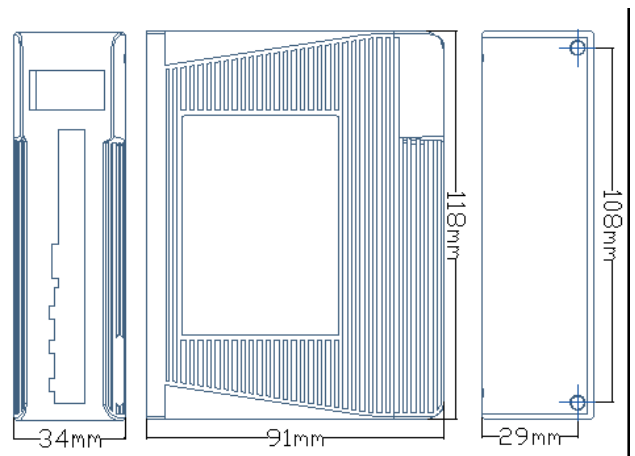
Function Setting

Standstill current setting			
Current		Sw4	
Half		OFF	
FULL		ON	
Initial Motor direction setting			
Direction	Sw5	Remark	
CCW	OFF	Counter clockwise	
CW	ON	Clockwise	
Smoothing filter time setting			
Filter Sel	Sw6	Sw7	Description
Default [0ms]	ON	ON	When SW6 and SW7 set to ON, user can set the filter time through software. The more higher value for smoothing filter time setting, the more better performance for the ACC and high speed, while the interpolation effect becomes weak
2ms	OFF	ON	
12ms	ON	OFF	
25ms	OFF	OFF	

Product Diagram



Product Dimension(Unit:mm)



EHS-808H(closed loop)



Features:

- 1.New floating point 32bit MCU technology
- 2.2 channels analog 0~5V input
- 3.Auto –Tunning after power up
- 4.4 channels opto–coupler isolation output
- 5.Variable current control technology greatly reduce the motor heating
- 6.Can set 500~5000 resolution encoder ,the default is 1000PPR
- 7.5 channels opto–coupler isolation input,2 of them are high speed opto–coupler isolation input
- 8.Communication Frequency up to 100MHz
- 9.DIPs can set 127 IPs or automatic allocate IP
- 10.Current will be change in 2–8A according to the load
- 11.The default subdivision is 50000,can change through software
- 12.Smooth movement and ultra– low noise
- 13.The matched motor can be 28,42,57,60,86 frame size easy servo motor

Electrical Specifications

Parameters	EHS-808H			Unit
	Min	Typical	Max	
Output current[PK]	0.5	–	8.0	A
Supply voltage	20	24/36/48	80	Vdc
Logic input current	6	10	16	mA
Logic input voltage	5	5	24	Vdc
OC output pull–up voltage	5	–	24	VDC
EtherCAT frequency	–	100	–	MHz
Isolation resistance	100	–	–	MΩ

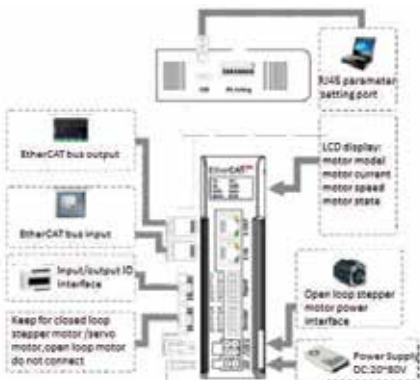
Function Setting

Closed loop stepper Motor setting			
Motor	Sw1	Sw2	Motor Setting
28	ON	ON	When SW1 and SW2 are setting to OFF, user can set the matched motor through software
42	OFF	ON	
57/60	ON	OFF	
Default[86]	OFF	OFF	
Open–loop/closed loop stepper motor setting			
Motor			Sw3
Open loop			ON
Closed loop			OFF
Control Mode setting			
Control Mode	Sw4	Remark	
FOC	OFF	Vector closed loop control(ball–screw rotate)	
PM	ON	Power angle closed loop control(belt rotate)	

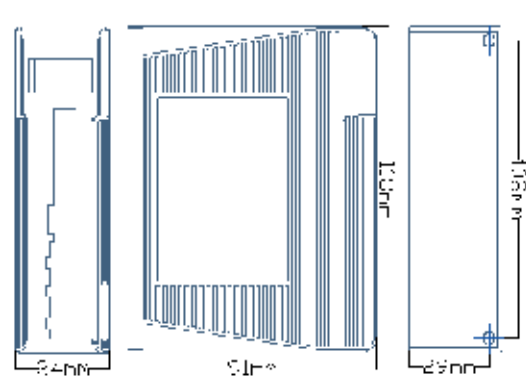
Function Setting

Motor initial direction setting			
Direction	Sw5	Remark	
CCW	OFF	Counter clockwise	
CW	ON	Clockwise	
Filter time setting			
Filter Sel	Sw6	Sw7	Remark
Default[0ms]	ON	ON	When SW6 and SW7 are set to ON/ON, user can set the filter time by software,and the max value is 25ms.The longer filter time,the better performance of acceleration and high speed, while interpolation effect becomes weak
2ms	OFF	ON	
12ms	ON	OFF	
25ms	OFF	OFF	

Product Diagram



Product Dimension(Unit:mm)



EC808D

Features:

- 1.New floating point 32bit MCU technology
- 2.Ultra low vibration noise
- 3.Internal high Subdivision
- 4.The output current will automatically adjust based on the load
- 5.The continuous output current MAX value is 8.0A
- 6.Have the Indicator port function of the problem
- 7.Can accept the differential, single pulse/direction offline command
- 8.Advanced vector control technology greatly reduce the motor heating
- 9.Encoder resolution can be 500~5000,the default is 1000PPR encoder
- 10.Pulse response Frequency up to 500KHz (default 200KHz)
- 11.The number of per circle pulse can set by Protuner software or DIPs
- 12.Pulse, direction and offline signal input level is compatible 5~24V
- 13.Over-current,under-voltage and over-voltage protection
- 14.Apply the FOC and SVPWN close control technology
- 15.With the RJ45 serial TTL debugging function, need to use our serial debugging cable
- 16.Use for the closed loop stepper motor 42,57,60 and 86 frame size



CLOSED LOOP STEPPER DRIVER

Electrical Specifications

Parameters	EC808D			
	Min	Typical	Max	Unit
Output current[PK]	1.0	–	8	A
Supply voltage	20	24/36/48/60	80	Vdc
Logic input current	6	10	16	mA
Logic input voltage	5	5	24	Vdc
High Level pulse width	1.5	–	200	us
pulse frequency	0	–	–	KHz
Isolation resistance	100	± 1	–	MΩ
Position Error control accuracy	–	100	–	PULSE
MAX ACC(no load)	–	–	–	RPM/MS
Over-voltage protection Voltage	92	± 2	–	Vdc
Speed control accuracy	–	–	–	RPM

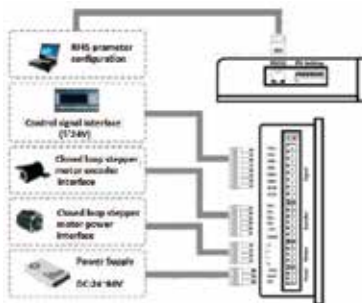
CURRENT SETTING

Steps/Revolution	Sw1	Sw2	Sw3	Sw4
Software Configured (Default 400)	ON	ON	ON	ON
800	OFF	ON	ON	ON
1600	ON	OFF	ON	ON
3200	OFF	OFF	ON	ON
6400	ON	ON	OFF	ON
12800	OFF	ON	OFF	ON
25600	ON	OFF	OFF	ON
500	OFF	OFF	OFF	ON
1000	ON	ON	ON	OFF
2000	OFF	ON	ON	OFF
4000	ON	OFF	ON	OFF
5000	OFF	OFF	ON	OFF
8000	ON	ON	OFF	OFF
10000	OFF	ON	OFF	OFF
3600	ON	OFF	OFF	OFF
7200	OFF	OFF	OFF	OFF

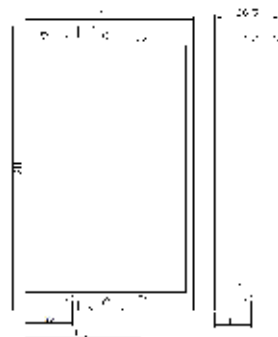
Function Setting

Motor Initial direction setting			
Direction	Sw5	Remark	
CCW	OFF	Clockwise	
CW	ON	Counter clockwise	
Control Mode setting			
Control Mode	Sw6	Remark	
FOC	OFF	Vector closed loop control(ball screw rotation)	
PM	ON	Power angle closed loop control(belt rotation)	
Closed loop stepper Motor setting			
Motor	Sw6	Sw7	Description
42	ON	ON	When SW7 and SW8 are setting to OFF, user can set the matched motor through software
57	OFF	ON	
60	ON	OFF	
Default[86]	OFF	OFF	

Product Diagram



Product Dimension(Unit:mm)



EC506D



Features:

- 1.New floating point 32bit MCU technology
- 2.Ultra low vibration noise
- 3.Internal high Subdivision
- 4.The output current will automatically adjust based on the load
- 5.The continuous output current MAX value is 6.0A
- 6.Have the Indicator port function of the problem
- 7.Can accept the differential, single pulse/direction offline command
- 8.Advanced vector control technology greatly reduce the motor heating
- 9.Encoder resolution can be 500~5000,the default is 1000PPR encoder
- 10.Pulse response Frequency up to 500KHz (default 200KHz)
- 11.The number of per circle pulse can set by Protuner software or DIPs
- 12.Pulse, direction and offline signal input level is compatible 5~24V
- 13.Over-current, under-voltage and over-voltage protection
- 14.Apply the FOC and SVPWN close control technology
- 15.With the RJ45 serial TTL debugging function, need to use our serial debugging cable
- 16.Use for the closed loop stepper motor 28,42,57,60 frame size

Electrical Specifications

Parameters	EC506D			
	Min	Typical	Max	Unit
Output current[PK]	0.5	-	6	A
Supply voltage	24	24/36	50	Vdc
Logic input current	6	10	16	mA
Logic input voltage	5	5	24	Vdc
High Level pulse width	1.5	-	-	us
pulse frequency	0	-	200	KHz
Isolation resistance	100	± 1	-	MΩ
Position Error control accuracy	-	100	-	PULSE
MAX ACC(no load)	-	-	-	RPM/MS
Over-voltage protection Voltage	55	± 2	-	Vdc
Speed control accuracy	-	-	-	RPM

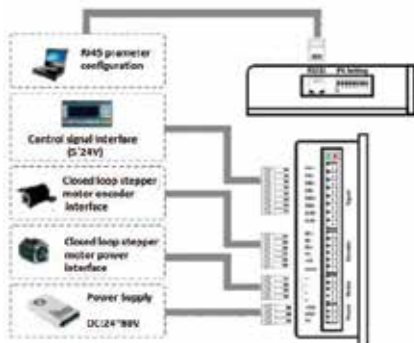
CURRENT SETTING

Steps/Revolution	Sw1	Sw2	Sw3	Sw4
Software Configured (Default 400)	ON	ON	ON	ON
800	OFF	ON	ON	ON
1600	ON	OFF	ON	ON
3200	OFF	OFF	ON	ON
6400	ON	ON	OFF	ON
12800	OFF	ON	OFF	ON
25600	ON	OFF	OFF	ON
500	OFF	OFF	OFF	ON
1000	ON	ON	ON	OFF
2000	OFF	ON	ON	OFF
4000	ON	OFF	ON	OFF
5000	OFF	OFF	ON	OFF
8000	ON	ON	OFF	OFF
10000	OFF	ON	OFF	OFF
3600	ON	OFF	OFF	OFF
7200	OFF	OFF	OFF	OFF

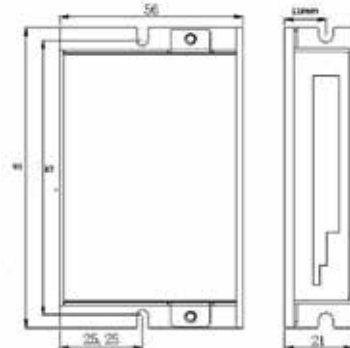
Function Setting

Motor Initial direction setting			
Direction	Sw5	Remark	
CCW	OFF	Clockwise	
CW	ON	Counter clockwise	
Control Mode setting			
Control Mode	Sw6	Remark	
FOC	OFF	Vector closed loop control(ball screw rotation)	
PM	ON	Power angle closed loop control(belt rotation)	
Closed loop stepper Motor setting			
Motor	Sw6	Sw7	Description
28	ON	ON	When SW7 and SW8 are setting to OFF, user can set the matched motor through software
42	OFF	ON	
57	ON	OFF	
60	OFF	OFF	

Product Diagram

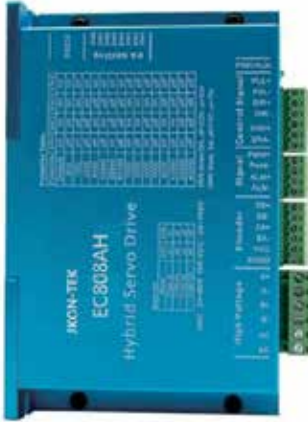


Product Dimension(Unit:mm)



EC808AH

Features:



- 1.New floating point 32bit MCU technology
- 2.Ultra low vibration noise
- 3.Internal high Subdivision
- 4.The output current will automatically adjust based on the load
- 5.The continuous output current MAX value is 8.0A
- 6.Have the Indicator port function of the problem
- 7.Can accept the differential, single pulse/direction offline command
- 8.Advanced vector control technology greatly reduce the motor heating
- 9.Encoder resolution can be 500~5000,the default is 1000PPR encoder
- 10.Pulse response Frequency up to 500KHz (default 200KHz)
- 11.The number of per circle pulse cam set by Protuner software or DIPs
- 12.Pulse, direction and offline signal input level is compatible 5~24V
- 13.Over-current,under-voltage and over-voltage protection
- 14.Apply the FOC and SVPWN close control technology
- 15.With the RJ45 serial TTL debugging function, need to use our serial debugging cable
- 16.Use for the closed loop stepper motor 42,57,60 and 86 frame size

Electrical Specifications

Parameters	EC808AH			
	Min	Typical	Max	Unit
Output current[PK]	1.0	–	8	A
Supply voltage	24/20	24/36/48/60	110/80	Vdc
Logic input current	6	10	16	mA
Logic input voltage	5	5	24	Vdc
High Level pulse width	1.5			us
pulse frequency	0	–	200	KHz
Isolation resistance	100	–	–	MΩ
Position Error control accuracy	–	± 1	–	PULSE
MAX ACC(no load)	–	100	–	RPM/MS
Over-voltage protection Voltage	90	92	94	Vdc
Speed control accuracy	–	± 2	–	RPM

CURRENT SETTING

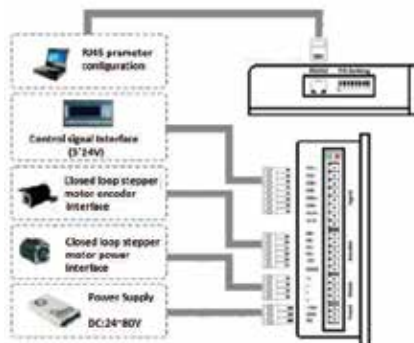
Steps/Revolution	Sw1	Sw2	Sw3	Sw4
Software Configured (Default 400)	ON	ON	ON	ON
800	OFF	ON	ON	ON
1600	ON	OFF	ON	ON
3200	OFF	OFF	ON	ON
6400	ON	ON	OFF	ON
12800	OFF	ON	OFF	ON
25600	ON	OFF	OFF	ON
51200	OFF	OFF	OFF	ON
1000	ON	ON	ON	OFF
2000	OFF	ON	ON	OFF
4000	ON	OFF	ON	OFF
5000	OFF	OFF	ON	OFF
8000	ON	ON	OFF	OFF
10000	OFF	ON	OFF	OFF
20000	ON	OFF	OFF	OFF
40000	OFF	OFF	OFF	OFF

Function Setting

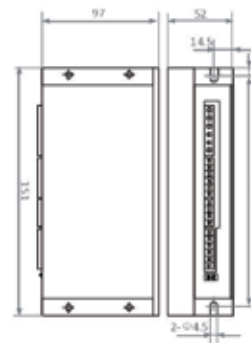
Motor Initial direction setting		
Direction	Sw5	Remark
CCW	OFF	Clockwise
CW	ON	Counter clockwise
Control Mode setting		
Control Mode	Sw6	Remark
FOC	OFF	Vector closed loop control(ball screw rotation)
PM	ON	Power angle closed loop control(belt rotation)
Function setting		
Edge Sel	Sw7	Remark
Rise	OFF	The rising edge is valid
Fall	ON	Falling Edge is valid
C/O Sel	SW8	Remark
Closed loop	OFF	Closed loop motor setting
Open loop	ON	Open loop motor setting

CLOSED LOOP STEPPER DRIVER

Product Diagram



Product Dimension(Unit:mm)



EC758(LCD)



Features:

- 1.The output current will automatically adjust based on the load
- 2.The continuous output current MAX value is 8.0A
- 3.Have the Indicator port function of the problem
- 4.Can accept the differential, single pulse/direction offline command
- 5.Advanced vector control and variable frequency technology greatly reduce the motor heating
- 6.Pulse response Frequency up to 500KHz (default 200KHz)
- 7.The number of per circle pulse cam set by Protuner software or DIPs
- 8.Pulse, direction and offline signal input level is compatible 5~24V
- 9.Over-current,under-voltage and over-voltage protection
- 10.Apply the FOC and SVPWN close control technology
- 11.With the RJ45 serial TTL debugging function, need to use our serial debugging cable
- 12.Use for the closed loop stepper motor 86 frame size

Electrical Specifications

Parameters	Ec758			
	Min	Typical	Max	Unit
Output current[PK]	1.0	—	8	A
Supply voltage	20	60	75	Vdc
Logic input current	7	10	20	mA
Logic input voltage	5	5	24	Vdc
High Level pulse width	1.5			us
pulse frequency	0	—	200	KHz
Isolation resistance	100	—	—	MΩ
Position Error control accuracy	—	± 1	—	PULSE
MAX ACC(no load)	—	100	—	RPM/MS
Over-voltage protection Voltage	90	92	94	Vdc
Speed control accuracy	—	± 2	—	RPM

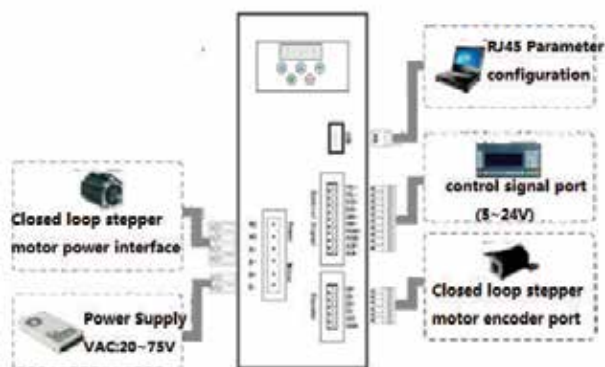
Control Signal Port (44 DB NEEDLE HEAD)

Terminal number	Symbols	Name	
3	PUL+	Pulse Positive Input	Compatible 5V-24V level signal
4	PUL-	Pulse negative input	
5	DIR+	Directional Positive Input	
6	DIR-	Directional negative input	
7	ALM+	Positive output of alarm signal	OC open collector output, the MAX pull-up level 24V, maximum output current 100mA
8	ALM-	Negative output of alarm signal	
9	PEND+	position signal Positive output terminal	Compatible 5V-24V level signal
10	PEND-	Position signal negative output terminal	
11	ENA+	Enable Positive Input	
12	ENA-	Enable negative input	

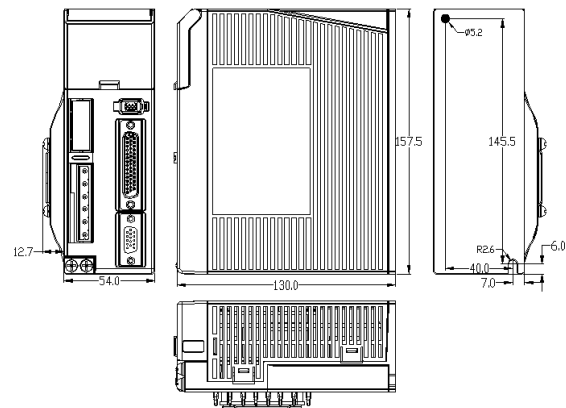
Encoder Signal Port (15 DB NEEDLE HEAD)

Terminal number	Symbols	Name
1	EA +	Encoder A channel positive input
2	EB +	Encoder B channel positive input
3	GND	Encoder GND
11	EA -	Encoder A channel negative input
12	EB -	Encoder B channel negative input

Product Diagram



Product Dimension(Unit:mm)



EO 42 Series Motor

Eo42 Series Specification	
Accuracy	± 5%(full step、unload)
Temperature	85°C MAX
Environment	-25°C~+55°C
Insulation Resistance	100MΩ min 500VDC
Pressure	500VAC for one minute
Radial runout	0.02 Max(450g-load)
Axial runout	0.08 Max(450g-load)



Electrical Specification

EO 42MM Series Technical Specification											
Model	Phase	Step Angle	Torque (NM)	Current (A)	Inductance (mH)	Resistance (ohm)	Lead	Inertia (g.cm)	Detent Torque(N.cm)	Motor length(mm)	Weight (kg)
EO42-02	2	1.8	0.22	1.3	2.9	2.3	4	34	1.6	34	0.22
EO42-03	2	1.8	0.28	0.4	30	30	6	54	2.2	40	0.28
EO42-04	2	1.8	0.4	1.7	2.8	1.5	4	54	2.2	40	0.35
EO42-05	2	1.8	0.52	1.3	5.5	3.2	4	68	2.6	48	0.35
EO42-06	2	1.8	0.65	1.3	9.5	4.2	4	102	3.8	60	0.46

Mechanical Dimension(UNIT:mm)

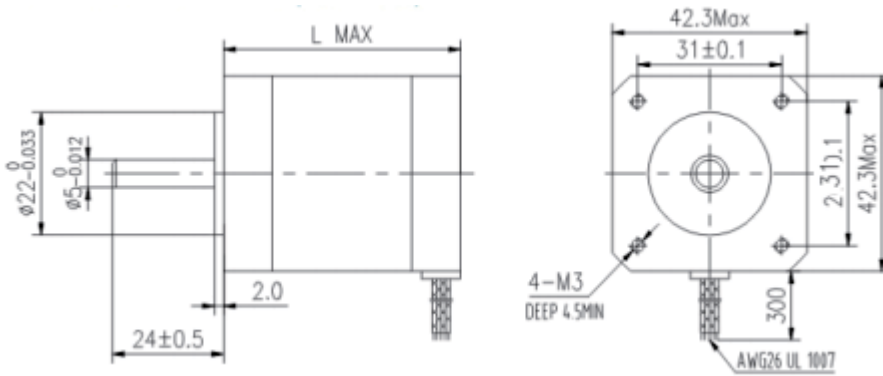
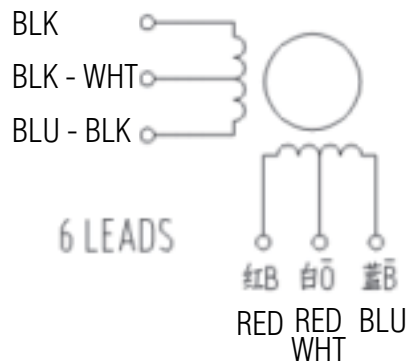
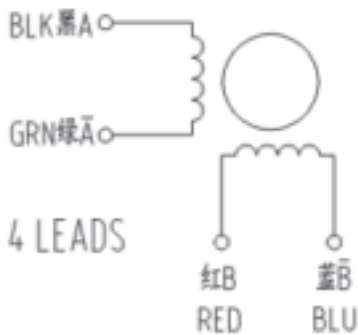


Diagram Wiring:



EO 57 Series Motor

Eo57 Series Specification	
Accuracy	± 5%(full step、unload)
Temperature	85°C MAX
Environment	-25°C~+55°C
Insulation Resistance	100MΩ min 500VDC
Pressure	500VAC for one minute
Radial runout	0.02 Max(450g-load)
Axial runout	0.08 Max(450g-load)



Electrical Specification

EO 57MM Series Technical Specification											
Model	Phase	Step Angle	Torque (NM)	Current (A)	Inductance (mH)	Resistance (ohm)	Lead	Inertia (g.cm)	Detent Torque(N.cm)	Motor length(mm)	Weight (kg)
EO57-05/06	2	1.8	0.55	0.6	22	10	4	150	2.5	41	0.47
EO57-05/20	2	1.8	0.55	2	2.8	1.3	4	150	2.5	41	0.47
EO57-08	2	1.8	0.8	0.62	26	12	4	230	2.8	51	0.52
EO57-09	2	1.8	0.9	2.8	2.1	0.85	4	230	3	51	0.59
EO57-10/25	2	1.8	1.1	2.5	4	1.3	4	280	3.5	56	0.68
EO57-10/42	2	1.8	1.1	4.2	1.3	0.4	4	280	3.5	56	0.68
EO57-18	2	1.8	1.8	2.8	4.3	1.2	4	440	6	76	1.05
EO57-20	2	1.8	2	4.2	2.2	0.6	4	500	7	80	1.1
EO57-22	2	1.8	2.2	4.2	2.5	0.65	4	560	8	83	1.2
EO 57-23	2	1.8	2.3	4.5	2.3	0.55	4	560	8	83	1.2
EO57-25	2	1.8	2.5	4.2	2.9	0.75	4	680	10	100	1.5
EO57-28	2	1.8	2.8	3	6.8	1.6	4	800	12	112	1.7

Mechanical Dimension(UNIT:mm)

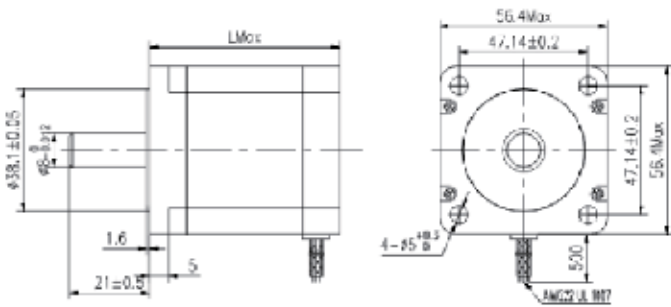
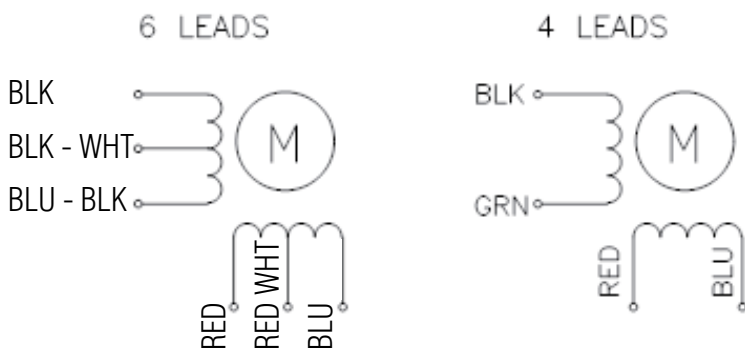


Diagram Wiring:



EO 60 Series Motor

Eo60 Series Specification	
Accuracy	± 5%(full step、unload)
Temperature	85°C MAX
Environment	-25°C~+55°C
Insulation Resistance	100MΩ min 500VDC
Pressure	500VAC for one minute
Radial runout	0.02 Max(450g-load)
Axial runout	0.08 Max(450g-load)



Electrical Specification

EO 60MM Series Technical Specification											
Model	Phase	Step Angle	Torque (NM)	Current (A)	Inductance (mH)	Resistance (ohm)	Lead	Inertia (g.cm)	Detent Torque(N.cm)	Motor length(mm)	Weight (kg)
EO60-08	2	1.8	0.85	2.5	2.2	1	4	200	3	45	0.55
EO60-16/25	2	1.8	1.6	2.5	4.2	1.3	4	350	4	56	0.7
EO60-16/42	2	1.8	1.6	4.2	1.2	0.4	4	350	4	56	0.7
EO60-18/30	2	1.8	1.8	3	2.3	0.8	4	450	5	65	0.85
EO60-18/42	2	1.8	1.8	4.2	1.2	0.55	4	450	5	65	0.85
EO60-22/25	2	1.8	2.2	2.5	6.5	1.8	4	550	7	76	1.15
EO60-22/30	2	1.8	2.2	3	3.5	1	4	550	7	76	1.15
EO60-20/42	2	1.8	2.2	4.2	1.8	0.6	4	550	7	76	1.15
EO60-26/30	2	1.8	2.6	3.0	5.5	1.4	4	780	12	89	1.4
EO60-26/42	2	1.8	2.6	4.2	2.8	0.7	4	780	12	89	1.4
EO60-30	2	1.8	3.0	4.2	3	0.7	4	900	16	100	1.6
EO60-36	2	1.8	3.6	4.2	3.5	0.85	4	900	16	112	1.8

OPEN LOOP STEPPER MOTOR 2 PHASE

Mechanical Dimension(UNIT:mm)

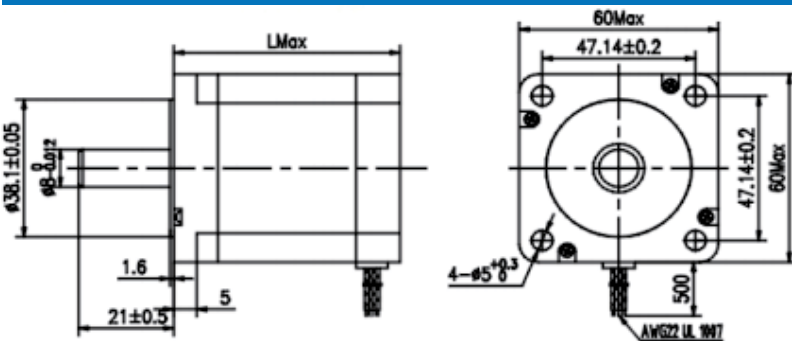
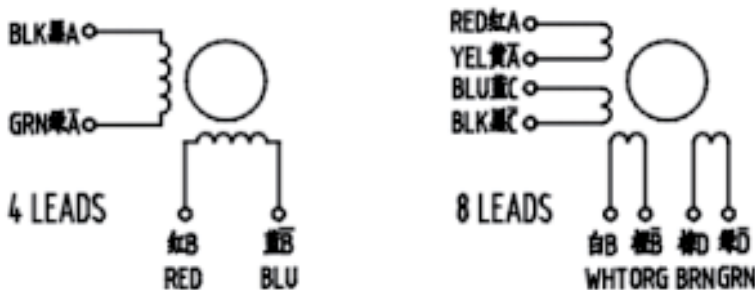


Diagram Wiring:



EO 86 Series Motor

Eo86 Series Specification	
Accuracy	± 5%(full step、unload)
Temperature	85℃ MAX
Environment	-25℃~+55℃
Insulation Resistance	100MΩ min 500VDC
Pressure	500VAC for one minute
Radial runout	0.02 Max(450g-load)
Axial runout	0.08 Max(450g-load)



Electrical Specification

EO 86MM Series Technical Specification											
Model	Phase	Step Angle	Torque (NM)	Current (A)	Inductance (mH)	Resistance (ohm)	Lead	Inertia (g.cm)	Detent Torque(N.cm)	Motor length(mm)	Weight (kg)
EO86-35/30	2	1.8	3.5	3.0	6.8	1.2	4	1000	5.5	68	2
EO86-35/42	2	1.8	3.5	4.2	1.6	0.6	6	1000	5.5	68	2
EO86-35/60	2	1.8	3.5	6.0	1.7	0.3	4	1000	5.5	68	2
EO86-45/20	2	1.8	4.5	2	10	2.2	8	1400	6.5	78	2.5
EO86-45/42	2	1.8	4.5	4.2	2.8	0.7	8	1400	6.5	78	2.5
EO86-45/60	2	1.8	4.5	6	2.8	0.35	4	1400	6.5	78	2.5
EO86-70/42	2	1.8	7	4.2	4.2	0.8	4	2000	9.5	98	3
EO86-70/60	2	1.8	7	6	4.2	0.4	8	2000	9.5	98	3
EO86-80/42	2	1.8	8	4.2	5.8	1.1	8	2700	12.5	114	3.7
EO86-80/60	2	1.8	8	6	5.8	0.6	4	2700	12.5	114	3.7
EO86-85/42	2	1.8	8.5	4.2	5.8	1.1	8	2700	12.5	118	4
EO86-85/60	2	1.8	8.5	6	5.8	0.6	4	2700	12.5	118	4
EO86-100/42	2	1.8	10	4.2	6.2	1.2	8	3300	18.5	126	4.2
EO86-100/60	2	1.8	10	6	6.2	0.6	4	3300	18.5	126	4.2
EO86-120/42	2	1.8	12	4.2	8.6	1.5	8	4000	24.5	150	5

Mechanical Dimension(UNIT:mm)

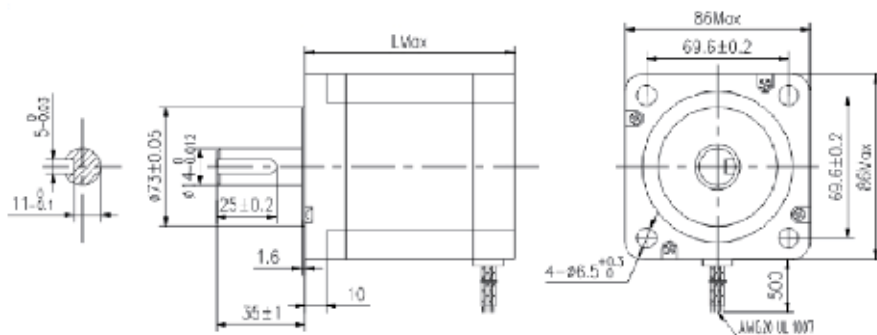
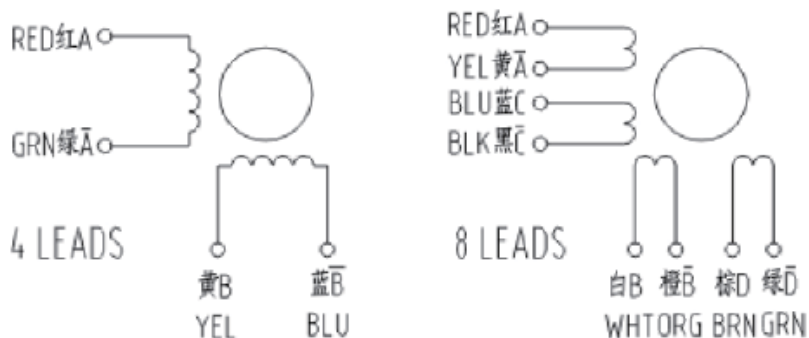


Diagram Wiring:



EO 110 Series Motor

EO110 Series Specification

Accuracy	± 5% (full step, unload)
Temperature	85°C MAX
Environment	-25°C~+55°C
Insulation Resistance	100MΩ min 500VDC
Pressure	500VAC for one minute
Radial runout	0.02 Max(450g-load)
Axial runout	0.08 Max(450g-load)



Electrical Specification

EO 110MM Series Technical Specification

Model	Phase	Step Angle	Torque (NM)	Current (A)	Inductance (mH)	Resistance (ohm)	Lead	Inertia (g.cm)	Detent Torque(N.cm)	Motor length(mm)	Weight (kg)
EO110-110	2	1.8	11	5.5	9.8	0.7	4	5500	30	100	5
EO110-160	2	1.8	16	6	4.9	0.37	4	7200	40	115	6
EO110-210	2	1.8	21	6.5	11	0.75	4	10900	59	150	8.4
EO110-280	2	1.8	28	8	12	0.7	4	16200	75	200	13

Mechanical Dimension(UNIT:mm)

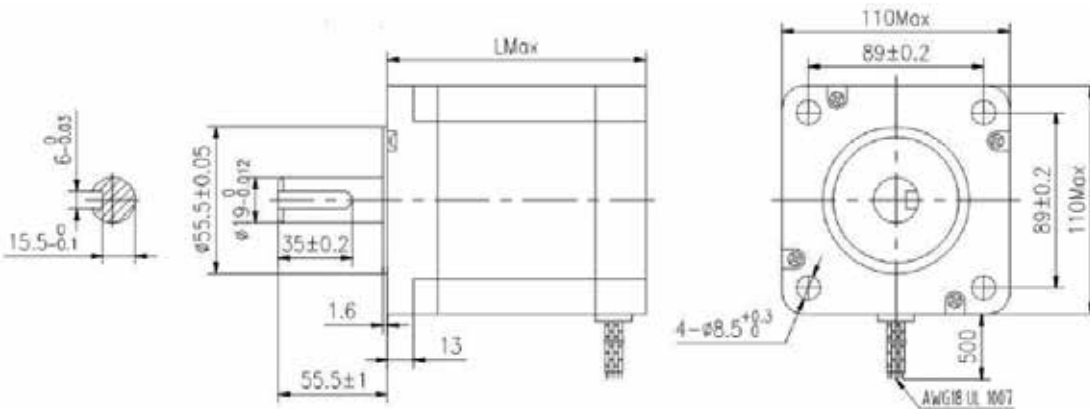
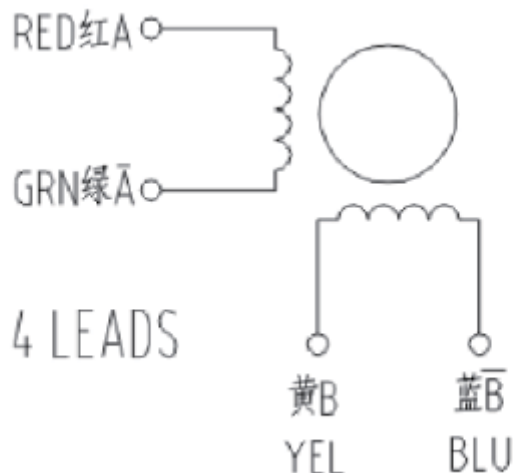


Diagram Wiring:



3EO 57 Series Motor

3EO 57 Series Specification

Accuracy	± 5%(full step、unload)
Temperature	85°C MAX
Environment	-25°C~+55°C
Insulation Resistance	100MΩ min 500VDC
Pressure	500VAC for one minute
Radial runout	0.02 Max(450g-load)
Axial runout	0.08 Max(450g-load)



Electrical Specification

3EO 57MM Series Technical Specification

Model	Phase	Step Angle	Torque (NM)	Current (A)	Inductance (mH)	Resistance (ohm)	Lead	Inertia (g.cm)	Detent Torque(N.cm)	Motor length(mm)	Weight (kg)
3EO57-08	3	1.2	0.8	3.5	1.7	0.6	3	300	3.5	56	0.7
3EO57-15	3	1.2	1.5	6	2	0.8	6	500	6	76	1.1
3EO57-20	3	1.2	2.0	10	1.7	0.45	3	700	10	105	1.3

Mechanical Dimension(UNIT:mm)

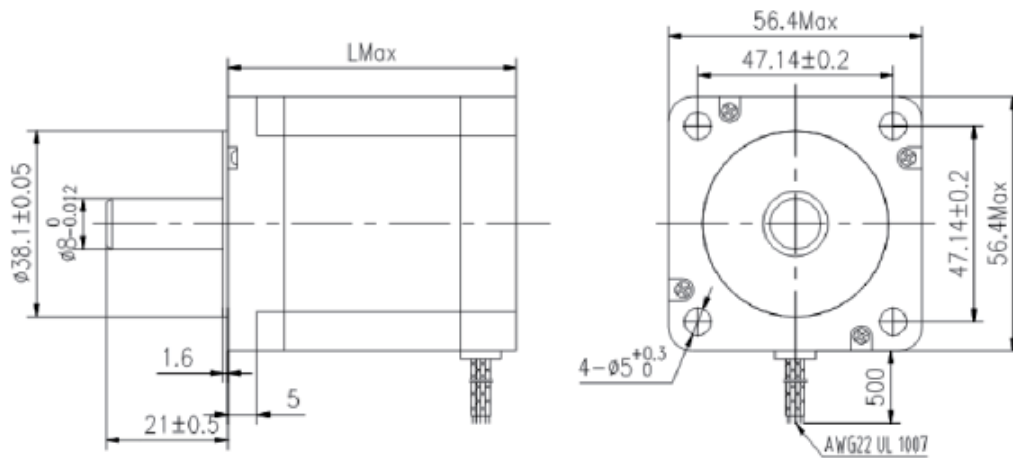


Diagram Wiring:



3EO 86 Series Motor

3EO86 Series Specification

Accuracy	± 5% (full step, unload)
Temperature	85°C MAX
Environment	-25°C~+55°C
Insulation Resistance	100MΩ min 500VDC
Pressure	500VAC for one minute
Radial runout	0.02 Max(450g-load)
Axial runout	0.08 Max(450g-load)



Electrical Specification

3EO 86MM Series Technical Specification

Model	Phase	Step Angle	Torque (NM)	Current (A)	Inductance (mH)	Resistance (ohm)	Lead	Inertia (g.cm)	Motor length(mm)	Weight (kg)
3EO86-21/18	3	1.2	2.1	1.75	12.3	4.25	3	850	68	2
3EO86-21/68	3	1.2	2.1	6.8	0.65	0.3	3	850	68	2
3EO86-35/35	3	1.2	3.5	3.5	5	1.6	3	1050	78	2.5
3EO86-35/45	3	1.2	3.5	4.5	3	1	3	1050	78	2.5
3EO86-35/68	3	1.2	3.5	6.8	1.3	0.42	3	1050	78	2.5
3EO86-50/20	3	1.2	5	2	23	5.4	3	1500	98	3
3EO86-50/45	3	1.2	5	4.5	3.9	2.1	6	1550	98	3
3EO86-50/58	3	1.2	5	5.8	3	0.8	3	1550	98	3
3EO86-62/35	3	1.2	6.2	3.5	8.2	3.1	3	1800	114	3.5
3EO86-62/45	3	1.2	6.2	4.5	4.8	1.8	3	1800	114	3.5
3EO86-62/68	3	1.2	6.2	6.8	2.1	0.75	3	1800	114	3.5
3EO86-76/35	3	1.2	7.6	3.5	9.8	3.5	3	2200	126	4
3EO86-76/45	3	1.2	7.6	4.5	6.2	2.1	3	2200	126	4
3EO86-76/68	3	1.2	7.6	6.8	2.6	0.9	3	2200	126	4
3EO86-92/68	3	1.2	9.2	6.8	3.5	0.7	3	2500	150	4.5

Mechanical Dimension (UNIT:mm)

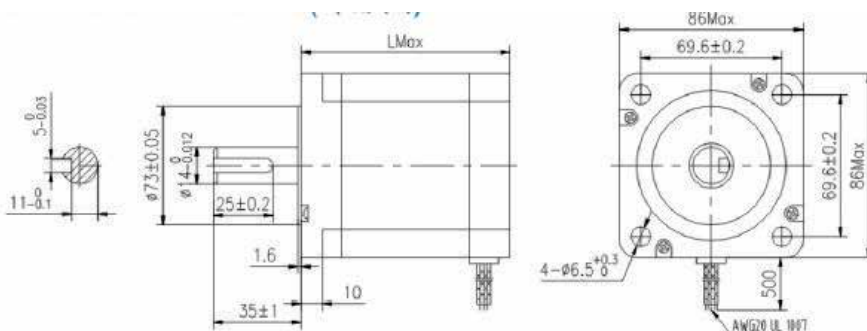
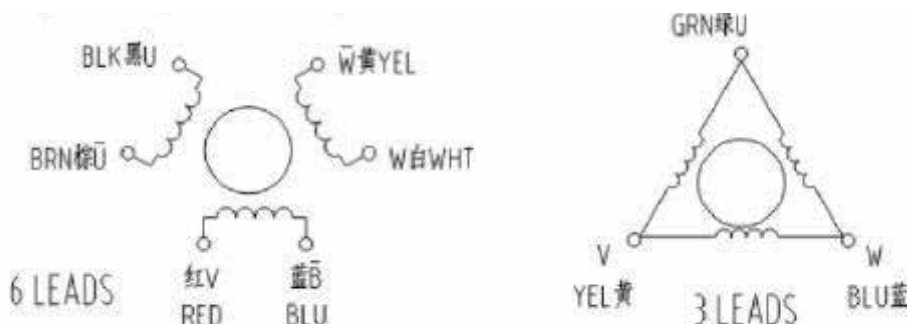


Diagram Wiring:



3EO 110 Series Motor

3EO 110 Series Specification

Accuracy	± 5%(full step、unload)
Temperature	85℃ MAX
Environment	-25℃~+55℃
Insulation Resistance	100MΩ min 500VDC
Pressure	500VAC for one minute
Radial runout	0.02 Max(450g-load)
Axial runout	0.08 Max(450g-load)



Electrical Specification

3EO 110MM Series Technical Specification

Model	Phase	Step Angle	Torque (NM)	Current (A)	Inductance (mH)	Resistance (ohm)	Lead	Inertia (g.cm)	Detent Torque(N.cm)	Motor length(mm)	Weight (kg)
3EO110-120	3	1.2	12	6	11.5	0.8	3	11900	40	160	7.1
3EO110-160	3	1.2	16	6	18	1.3	3	14800	55	185	8.8
3EO110-200	3	1.2	20	6	20	1.5	3	19600	68	220	11

Mechanical Dimension(UNIT:mm)

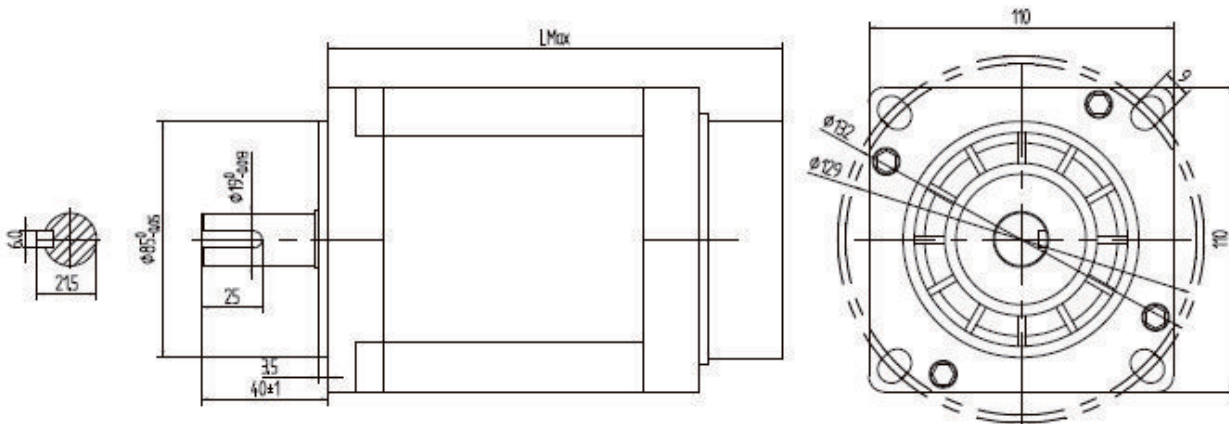
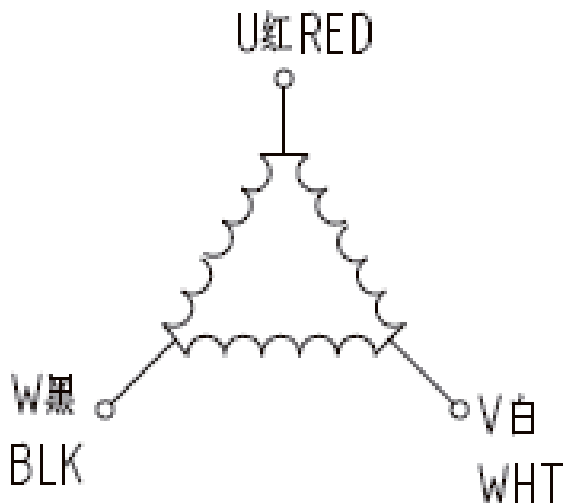


Diagram Wiring:



3EO 130 Series Motor

3EO30 Series Specification	
Accuracy	± 5% (full step, unload)
Temperature	85°C MAX
Environment	-25°C~+55°C
Insulation Resistance	100MΩ min 500VDC
Pressure	500VAC for one minute
Radial runout	0.02 Max(450g-load)
Axial runout	0.08 Max(450g-load)



Electrical Specification

3EO 130MM Series Technical Specification											
Model	Phase	Step Angle	Torque (NM)	Current (A)	Inductance (mH)	Resistance (ohm)	Lead	Inertia (g.cm)	Detent Torque(N.cm)	Motor length(mm)	Weight (kg)
3EO130-240	3	1.2	24	6.8	16	0.96	3	26870	100	180	14
3EO130-280	3	1.2	28	6.8	19	1.1	3	33970	160	220	17
3EO130-350	3	1.2	35	6.8	24	1.4	3	41400	240	250	19
3EO130-500	3	1.2	50	6.8	18	1.5	3	47300	280	285	20.5

Mechanical Dimension(UNIT:mm)

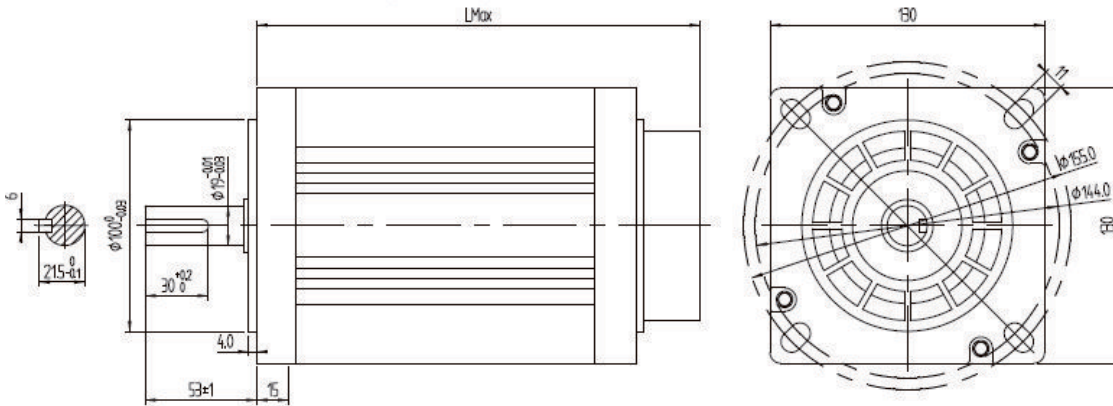
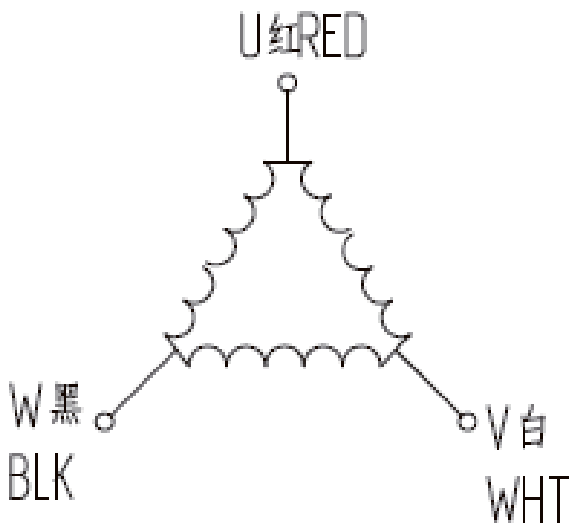


Diagram Wiring:



EC 57 series stepper motor

EC 57 Series Specification

Accuracy	±5%(full step、unload)
Temperature	85°C MAX
Environment	-25°C~+55°C
Insulation Resistance	100MΩmin 500VDC
Pressure	500VAC for one minute
Radial runout	0.02 Max(450g-load)
Axial runout	0.08 Max(450g-load)



Electrical Specification

EC 57MM Series Technical Specification

Model	Phase	Step Angle	Torque (NM)	Current (A)	Inductance (mH)	Resistance (ohm)	Lead	Inertia (g.cm ²)	Detent Torque(N.cm)	Motor length (mm)	Weight (kg)
EC57-10	2	1.8	1.1	4.2	1.2	0.4	4	280	3.5	56	0.8
EC57-22	2	1.8	2.2	3.5	3.8	0.8	4	500	7.0	80	1.4
EC57-22	2	1.8	2.2	4.2	2.0	0.7	4	500	7.0	80	1.4
EC57-28	2	1.8	2.8	4.2	3.5	0.8	4	800	12.0	112	1.8

Mechanical Dimension(UNIT:mm)

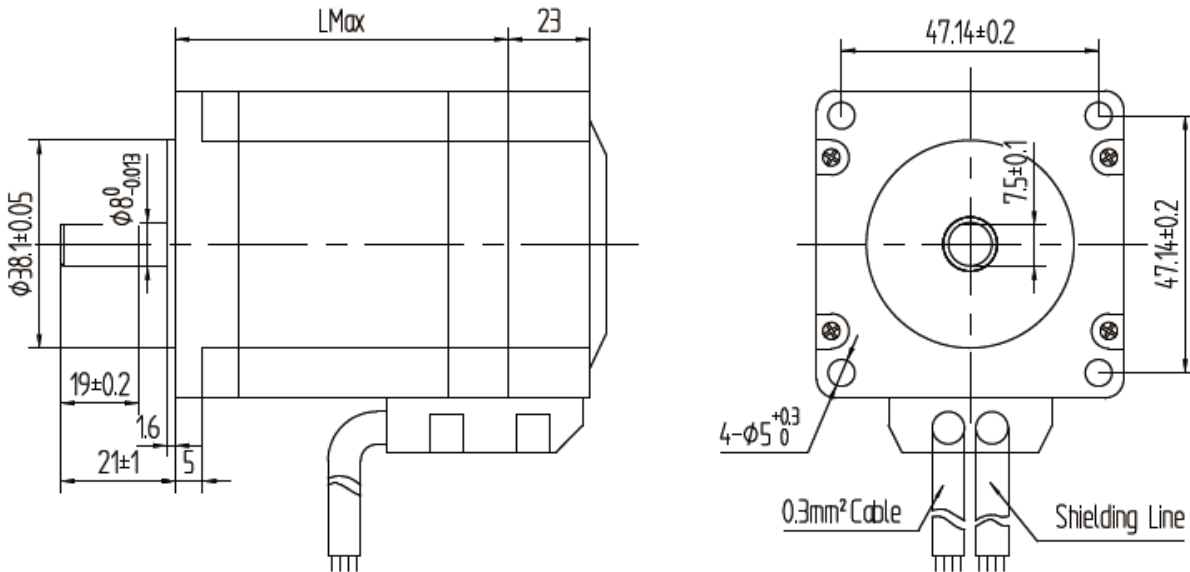
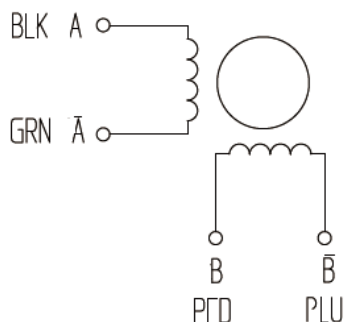


Diagram Wiring:



EA+	EA-	EB+	EB-	VCC	GND
Black	Blue	Yellow	Green	Red	White

EC 86 Series Stepper Motor

EC 86 Series Specification	
Accuracy	±5%(full step、unload)
Temperature	85°C MAX
Environment	-25°C~+55°C
Insulation Resistance	100MΩmin 500VDC
Pressure	500VAC for one minute
Radial runout	0.02 Max(450g-load)
Axial runout	0.08 Max(450g-load)



Electrical Specification

EC 86MM Series Technical Specification

Model	Phase	Step Angle	Torque (NM)	Current (A)	Inductance (mH)	Resistance (ohm)	Lead	Inertia (g.cm ²)	Detent Torque(N.cm)	Motor length (mm)	Weight (kg)
EC86-40	2	1.8	4.0	6.0	2.5	0.35	4	1400	6.5	80	3
EC86-85	2	1.8	8.5	6.0	4.5	0.45	4	2700	12.5	118	4.2
EC86-120	2	1.8	12.5	6.0	8.5	0.92	4	4000	25	156	6

Mechanical Dimension(UNIT:mm)

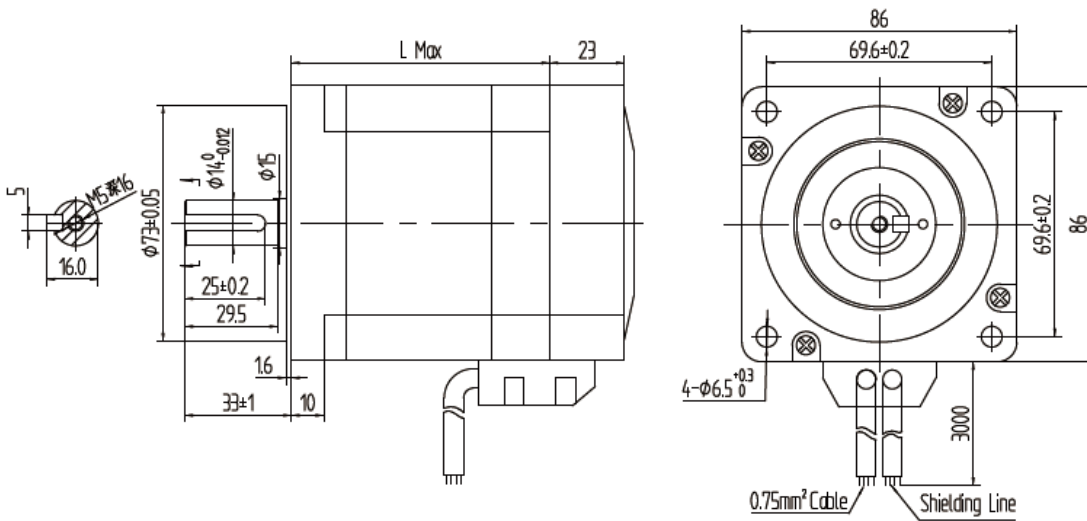
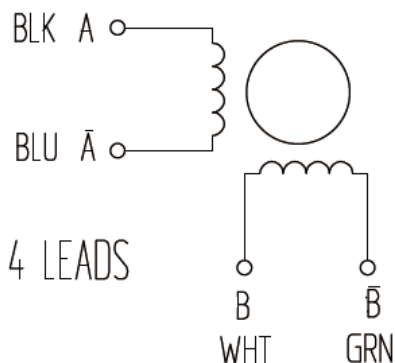


Diagram Wiring:



EA+	EA-	EB+	EB-	VCC	GND
Black	Blue	Yellow	Green	Red	White

JKON-TEK

To Be The Best Motion Control Provider

Step Motor ve Sürücüleri

TÜRKİYE DİSTRİBÜTÖRÜ

max
otomasyon

Mühendislik ve Elektrik San. Tic. Ltd. Şti.

İSTANBUL

- 📍 İkitelli OSB Mah. Bedrettin Dalan Bulvarı Metro34
Plaza No: 25 Başakşehir/ İstanbul
- ☎ 0 212 220 42 48 📞 0212 220 43 49
- ✉ info@maxotomasyon.com
- 🌐 www.maxotomasyon.com

BURSA

- 📍 Alaaddin Bey Mah. 618. Sk. No: 6C
Nilüfer BURSA
- ☎ 0224 443 57 81 - 82 - 83
- ☎ 0224 443 57 92
- ✉ info@maxotomasyon.com

